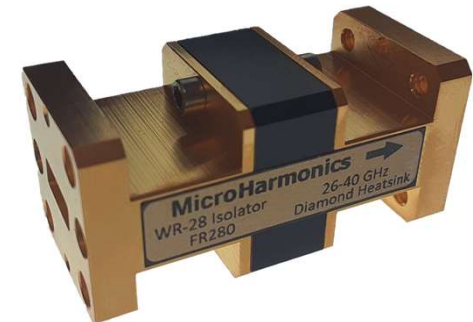
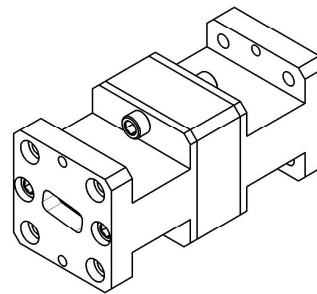
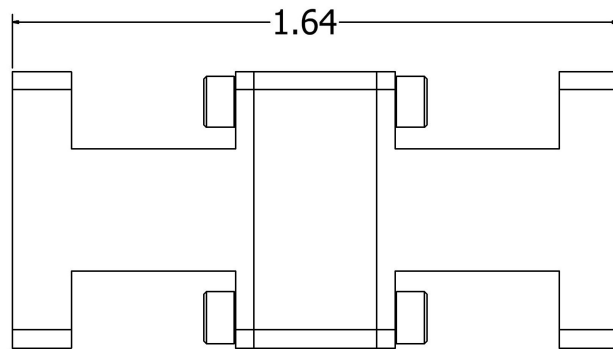
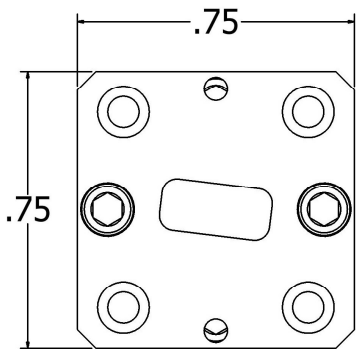
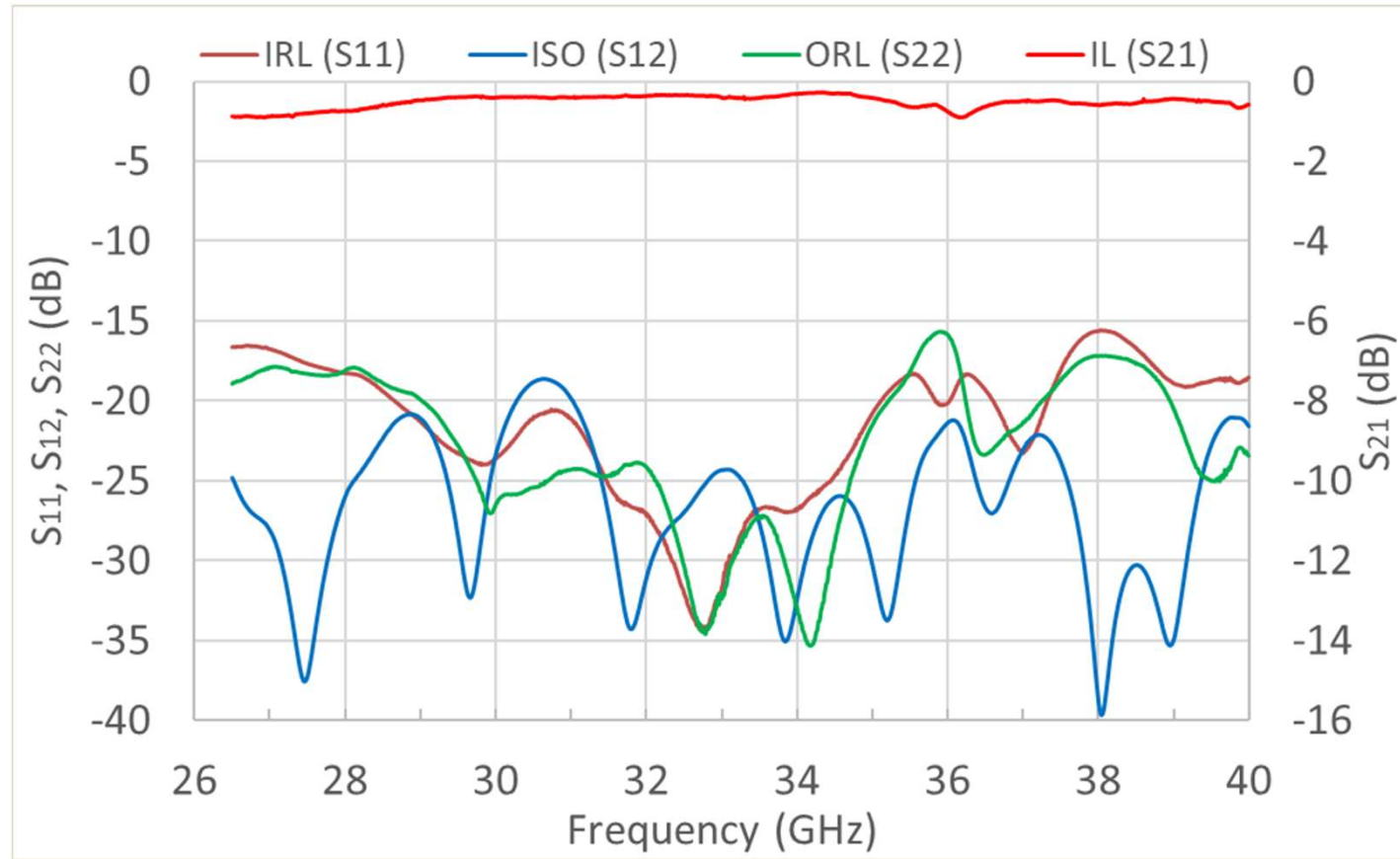


# Model: FR280

## Specifications

Flange	WR-28
Frequency (GHz)	26.5-40
Insertion Loss (dB, typ)	0.5
Insertion Loss (dB, max)	1.2
Isolation (dB, typ)	25
Isolation (dB, min)	19
Input Return Loss (dB, typ)	20
Output Return Loss (dB, typ)	20
VSWR (max)	1.5:1
Max. Rev. Power (W)	7
Diamond Heatsink	Yes

Every isolator is tested on a vector network analyzer to ensure conformity.



October 12, 2021