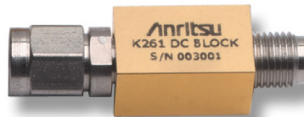


Anritsu Advancing beyond

DC Blocks

K261/V261 Wide Band DC Block
10 kHz to 40 GHz
50 kHz to 65 GHz

V265/W265 Precision Wide-Band DC Block
50 kHz to 65 GHz
50 kHz to 110 GHz



Introduction

Anritsu DC blocks are optimized for optical communications and other high speed pulse, data, or microwave/millimeter applications. Designed to apply AC drive signals to a device while eliminating any DC components.

Features

- 50 kHz to 110 GHz frequency coverage DC blocks
- W1 connectors™ are compatible with 1.00 mm connectors
- V connectors™ are compatible with 2.4 and 1.85 mm connectors
- K connectors™ are compatible with SMA, 3.5 and 2.92 mm connectors
- Design is robust and well suited for high frequency system and instrumentation applications
- Good return loss and minimal insertion loss

Specifications

Available Models

| Model | Frequency Range (GHz) | RF Connectors | Impedance (Ω) | Capacitance (nF) |
|-------|-----------------------|-------------------------|---------------|------------------|
| W265 | 50 kHz to 110 | In: W1(m) Out: W1(f) | 50 | 10 |
| V265 | 50 kHz to 65 | In: V(m) Out: V(f) | 50 | 80 |
| V261 | 50 kHz to 65 | In: V(m) Out: V(f) | 50 | 80 |
| K261 | 10 kHz to 40 | In: K(m) Out: K(f) | 50 | 220 |

Specifications

Electrical

Typical specifications are not tested and are not warranted. They are generally representative of characteristic performance. Warranty: 1 year. All specifications subject to change without notice. For the most current data sheet, please visit the Anritsu web site: www.anritsu.com

| Model | Insertion Loss (dB) | Return Loss | Max DC Voltage (V) | Max RF Power (W) | Rise Time ^a (ps) | Group Delay ^a (ps) | Leakage Current ^a |
|-------|---------------------|---|--------------------|------------------|-----------------------------|-------------------------------|------------------------------|
| W265 | 2.5 ^b | 4 dB min @ 50 kHz to 1 MHz 15 dB min @ > 1 MHz to 26 GHz 10 dB min @ > 26 GHz to 65 GHz 8 dB min @ > 65 GHz to 110 GHz | 16 ^c | 1 | 3.2 | 94 ±2 | 100 pA |
| V265 | < 0.7 ^a | 15 to 65 GHz ^a | 16 | 1 | 3 | 84 ±2 | 100 pA |
| V261 | < 2.0 ^a | See plot | 16 | 1 | < 5 | 113 ±2 | 50 pA |
| K261 | < 1.0 ^a | See plot | 16 | 1 | < 7 | 110 ±2 | 50 nA |

a. Typical

b. Maximum

c. Minimum

General

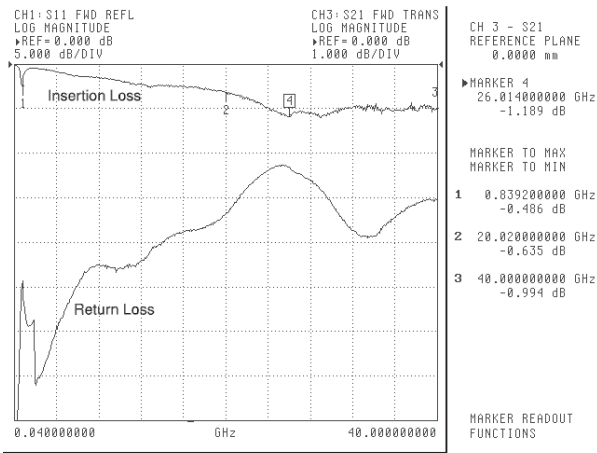
| | |
|--------|--|
| Weight | W265: 6.24 g V265: 6.99 g V261: 7.65 g K261: 7.65 g |
|--------|--|

Environmental Tests per MIL-STD-202F

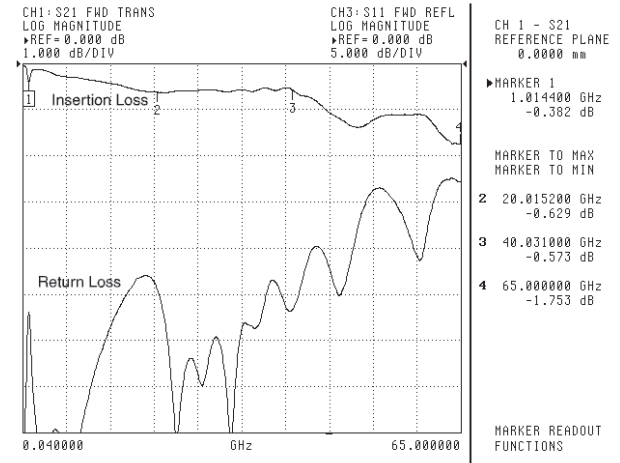
| | |
|---------------|---|
| Thermal Shock | -55 °C to +150 °C |
| Shock | 100g peak sawtooth, method 213, test condition 1 |
| Vibration | Sinewave: 10 Hz to 2000 Hz, 0.06" DA, method 204, test condition D Random: 50 Hz to 2000 Hz, 11.6 Grams, Power Spectral Density 0.1 Grams 2/Hz, Method 214, Test Condition 1, Letter D |

Regulatory Compliance

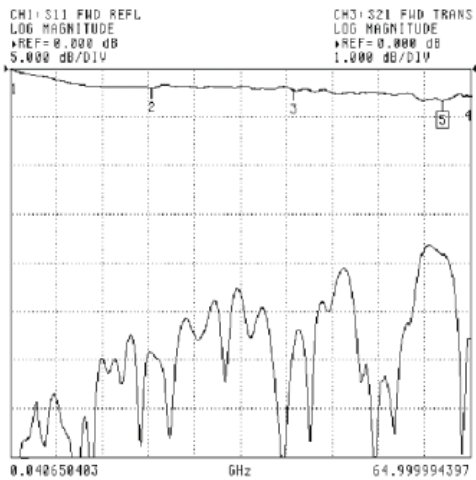
| | |
|------------------------|----------------------------|
| V265, K261, V261, W265 | RoHS Directive 2015/863/EU |
|------------------------|----------------------------|



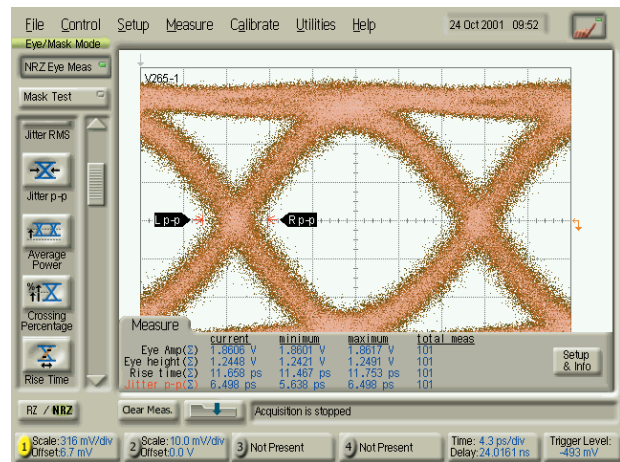
K261 Typical Return Loss/Insertion Loss



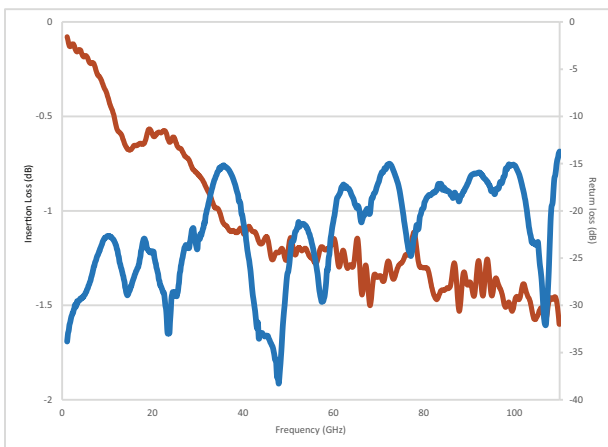
V261 Typical Return Loss/Insertion Loss



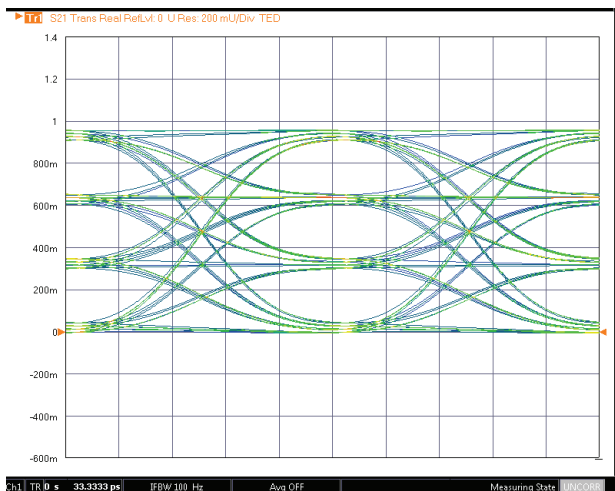
V265 Typical Return Loss/Insertion Loss



V265 Typical Eye Diagram



W265 Typical Return Loss/Insertion Loss

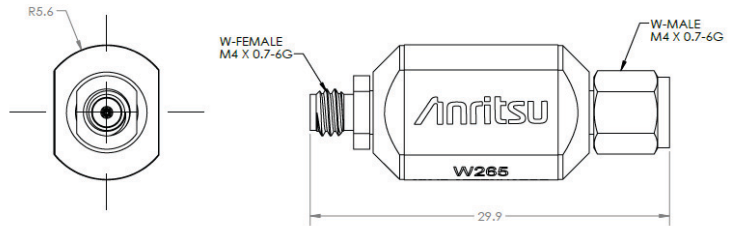
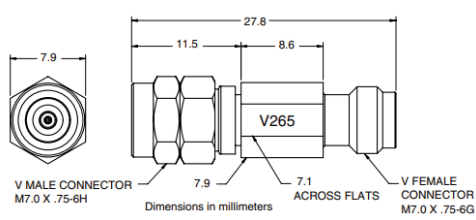
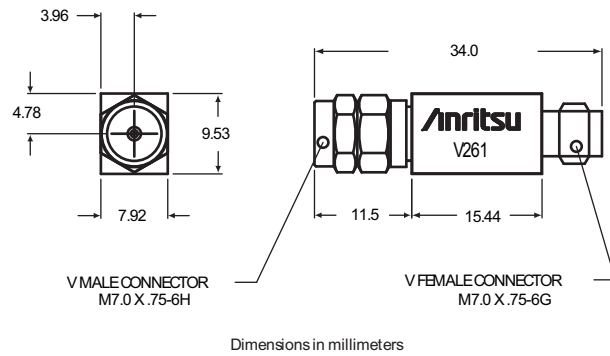
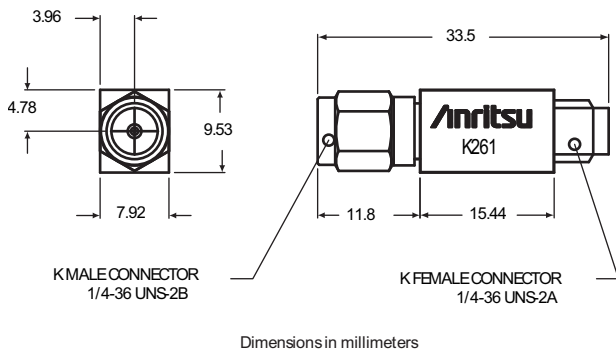


W265 Scale vs Time (ns) PAM4 Eye Diagram with 60 GBPS Rate^a

a. PAM4 plot created with .s2p simulation using VectorStar eye diagram software

Specifications

Dimensions



Ordering Information

| | |
|------|---|
| W265 | Precision Ultra Wide DC Block, 50 kHz to 110 GHz, W1(m) input, W1(f) output |
| V265 | Precision Ultra Wide DC Block, 50 kHz to 65 GHz, V(m) input, V(f) output |
| V261 | Ultra Wide DC Block, 50 kHz to 65 GHz, V(m) input, V(f) output |
| K261 | Ultra Wide DC Block, 10 kHz to 40 GHz, K(m) input, K(f) output, SMC(m) bias |

Training at Anritsu

Anritsu has designed courses to help you stay up to date with technologies important to your job. For available training courses, visit: www.anritsu.com/training



• United States

Anritsu Americas Sales Company
450 Century Parkway, Suite 190,
Allen, TX 75013, U.S.A.
Phone: +1-800-Anritsu (1-800-267-4878)

• Canada

Anritsu Electronics Ltd.
700 Silver Seven Road, Suite 120,
Kanata, Ontario K2V 1C3, Canada
Phone: +1-613-591-2003
Fax: +1-613-591-1006

• Brazil

Anritsu Elettronica Ltda.
Praça Amadeu Amaral, 27 - 1 Andar
01327-010 - Bela Vista - Sao Paulo - SP, Brazil
Phone: +55-11-3283-2511
Fax: +55-11-3288-6940

• Mexico

Anritsu Company, S.A. de C.V.
Blvd Miguel de Cervantes Saavedra #169 Piso 1,
Col. Granada, Mexico, Ciudad de Mexico,
11520, MEXICO
Phone: +52-55-4169-7104

• United Kingdom

Anritsu EMEA Ltd.
200 Capability Green,
Luton, Bedfordshire, LU1 3LU, U.K.
Phone: +44-1582-433200
Fax: +44-1582-731303

• France

Anritsu S.A.
12 avenue du Québec, Immeuble Goyave,
91140 VILLEBON SUR YVETTE, France
Phone: +33-1-60-92-15-50

• Germany

Anritsu GmbH
Nemetschek Haus, Konrad-Zuse-Platz 1,
81829 München, Germany
Phone: +49-89-442308-0
Fax: +49-89-442308-55

• Italy

Anritsu S.r.l.
Spaces Eur Arte, Viale dell'Arte 25, 00144 Roma, Italy
Phone: +39-6-509-9711

• Sweden

Anritsu AB
Kistagången 20 B, 2 tr, 164 40 Kista, Sweden
Phone: +46-8-534-707-00

• Finland

Anritsu AB
Technopolis Aviapolis, Teknobulevardi 3-5 (D208.5.),
FI-01530 Vantaa, Finland
Phone: +358-20-741-8100

• Denmark

Anritsu A/S
c/o Regus Winghouse, Ørestads Boulevard 73, 4th floor,
2300 Copenhagen S, Denmark
Phone: +45-7211-2200

• Russia

Anritsu EMEA Ltd.
Representation Office in Russia
Tverskaya str. 16/2, bld. 1, 7th floor,
Moscow 125009, Russia
Phone: +7-495-363-1694
Fax: +7-495-935-8962

• Spain

Anritsu EMEA Ltd.
Representation Office in Spain
Paseo de la Castellana, 141,
Planta 5, Edificio Cuzco IV
28046, Madrid, Spain
Phone: +34-91-572-6761

• Austria

Anritsu EMEA GmbH
Am Belvedere 10, A-1100 Vienna, Austria
Phone: +43-(0)1-717-28-710

• United Arab Emirates

Anritsu EMEA Ltd.
Anritsu A/S
Office No. 164, Building 17, Dubai Internet City
P. O. Box - 501901, Dubai, United Arab Emirates
Phone: +971-4-3758479

• India

Anritsu India Private Limited
6th Floor, Indiqube ETA, No.38/4, Adjacent to EMC2,
Doddanekundi, Outer Ring Road,
Bengaluru - 560048, India
Phone: +91-80-6728-1300
Fax: +91-80-6728-1301

• Singapore

Anritsu Pte. Ltd.
11 Chang Charn Road, #04-01, Shriro House
Singapore 159640
Phone: +65-6282-2400
Fax: +65-6282-2533

• Vietnam

Anritsu Company Limited
16th Floor, Peakview Tower, 36 Hoang Cau Street,
O Cho Dua Ward, Dong Da District, Hanoi, Vietnam
Phone: +84-24-3201-2730

• P.R. China (Shanghai)

Anritsu (China) Co., Ltd.
Room 2701-2705, Tower A, New Caohejing
International Business Center No. 391 Gui Ping Road
Shanghai, 200233, P.R. China
Phone: +86-21-6237-0898
Fax: +86-21-6237-0899

• P.R. China (Hong Kong)

Anritsu Company Ltd.
Unit 1006-7, 10/F., Greenfield Tower, Concordia Plaza,
No. 1 Science Museum Road, Tsim Sha Tsui East,
Kowloon, Hong Kong, P.R. China
Phone: +852-2301-4980
Fax: +852-2301-3545

• Japan

Anritsu Corporation
8-5, Tamura-cho, Atsugi-shi, Kanagawa, 243-0016 Japan
Phone: +81-46-296-6509
Fax: +81-46-225-8352

• South Korea

Anritsu Corporation, Ltd.
5FL, 235 Pangyoeyeok-ro, Bundang-gu, Seongnam-si,
Gyeonggi-do 13494, South Korea
Phone: +82-31-696-7750
Fax: +82-31-696-7751

• Australia

Anritsu Pty. Ltd.
Unit 20, 21-35 Ricketts Road,
Mount Waverley, Victoria 3149, Australia
Phone: +61-3-9558-8177
Fax: +61-3-9558-8255

• Taiwan

Anritsu Company Inc.
7F, No. 316, Sec. 1, NeiHu Rd., Taipei 114, Taiwan
Phone: +886-2-8751-1816
Fax: +886-2-8751-1817

List Revision Date: 20210610