

THIS DOCUMENT IS THE PROPERTY OF INTELLICONNECT. THE DESIGN AND SPECIFICATIONS DISCLOSED HEREON ARE PROPRIETARY AND SHALL NOT BE REPRODUCED, COPIED NOR USED FOR MANUFACTURE OR SALE OF DEVICES WITHOUT EXPRESSED WRITTEN AUTHORIZATION.

**PART NO.**  
0133-P1NN-418-100N

**MATERIAL/FINISH PROPERTIES**

**MATERIAL PROPERTIES:**

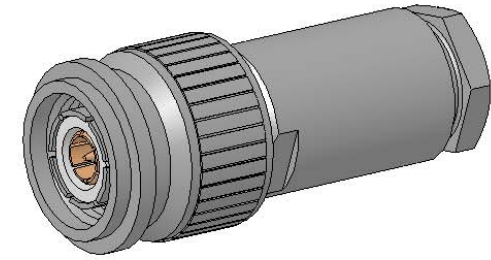
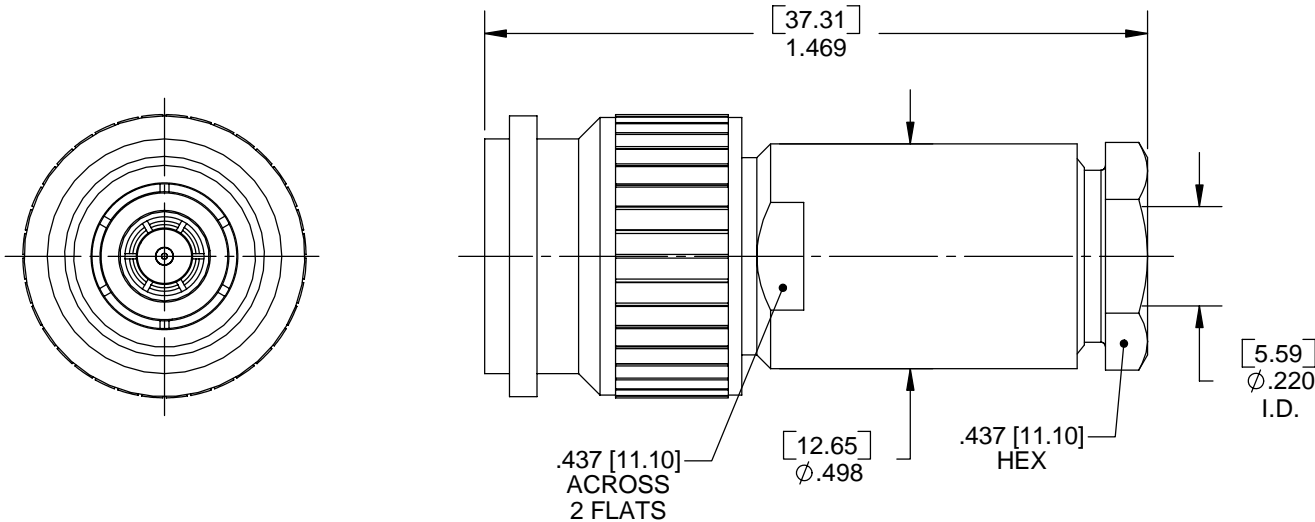
BODY: BRASS PER ASTM B16 OR EQUIVALENT  
 CONTACT: BRASS PER ASTM B16 OR EQUIVALENT  
 INSULATORS: PTFE PER ASTM D1710 OR EQUIVALENT  
 GASKETS: SILICONE RUBBER PER AA59588 OR EQUIVALENT

**PLATING PROPERTIES:**

OTHER METAL PARTS: .000100 MIN. NICKEL PER QQ-N-290  
 CONTACTS: .000010 MIN. GOLD PER MIL-G-45204 OVER  
 .000050 MIN. NICKEL PER QQ-N-290

**MECHANICAL/ELECTRICAL PROPERTIES**

CONNECTOR MEETS: MIL-STD-348 FIG. 202-1, MIL-PRF-49142  
 CONNECTOR MEETS: RoHS 2002/95/EC STANDARDS  
 CONNECTOR DURABILITY: 500 CYCLES MIN.  
 CABLE: TRIAX, CABLE GROUP 18, PER ES102  
 ASSEMBLY INSTRUCTIONS: AI313  
 IMPEDANCE: NON CONSTANT  
 VOLTAGE RATING: 400 VRMS  
 INSULATION RESISTANCE: 5,000 MEGOHMS  
 CONTACT RESISTANCE:  
 CENTER: 5.0 MILLOHMS MAX.  
 INTERMEDIATE: 0.5 MILLOHMS MAX.  
 OUTER: 0.5 MILLOHMS MAX.



NOTES: 1. ALL CABLE ITEMS SHIP LOOSE IN BAG

**IntelliConnect**

**UNLESS OTHERWISE SPECIFIED**

ALL DIMENSIONS ARE REFERENCE  
 X.XXX DIM'S = INCHES \* [X.XX] DIM'S = MILLIMETERS  
 SURFACE FINISH: 63 MICRO MAX.  
 ALL DIAMETERS TO BE CONCENTRIC WITHIN .005 F.I.M.

TITLE: TRT STRAIGHT CABLE U/G CLAMP PLUG

MATERIAL & FINISH: PER TABLE ABOVE

<b>DRAWN BY:</b> SRS	<b>CHECK BY:</b> PCS	<b>APPR. BY:</b> TLB
<b>DATE:</b> 05/05/06	<b>DATE:</b> 05/05/06	<b>DATE:</b> 05/05/06

<b>CAGE CODE NO:</b> 5N5S5	<b>SCALE:</b> 2.5:1	<b>SIZE:</b> A	<b>REV:</b> A
----------------------------	---------------------	----------------	---------------

<b>SALES DRAWING</b>	<b>PART NO.</b> 0133-P1NN-418-100N	<b>SHEET</b> 1 OF 1
----------------------	---------------------------------------	------------------------

A	NPR 404	TLB	05/05/06
<b>REV</b>	<b>DESCRIPTION</b>	<b>APPR</b>	<b>DATE</b>