

THIS DOCUMENT IS THE PROPERTY OF INTELLICONNECT. THE DESIGN AND SPECIFICATIONS DISCLOSED HEREON ARE PROPRIETARY AND SHALL NOT BE REPRODUCED, COPIED NOR USED FOR MANUFACTURE OR SALE OF DEVICES WITHOUT EXPRESSED WRITTEN AUTHORIZATION.

PART NO.
0140-P1CH-000-100Z

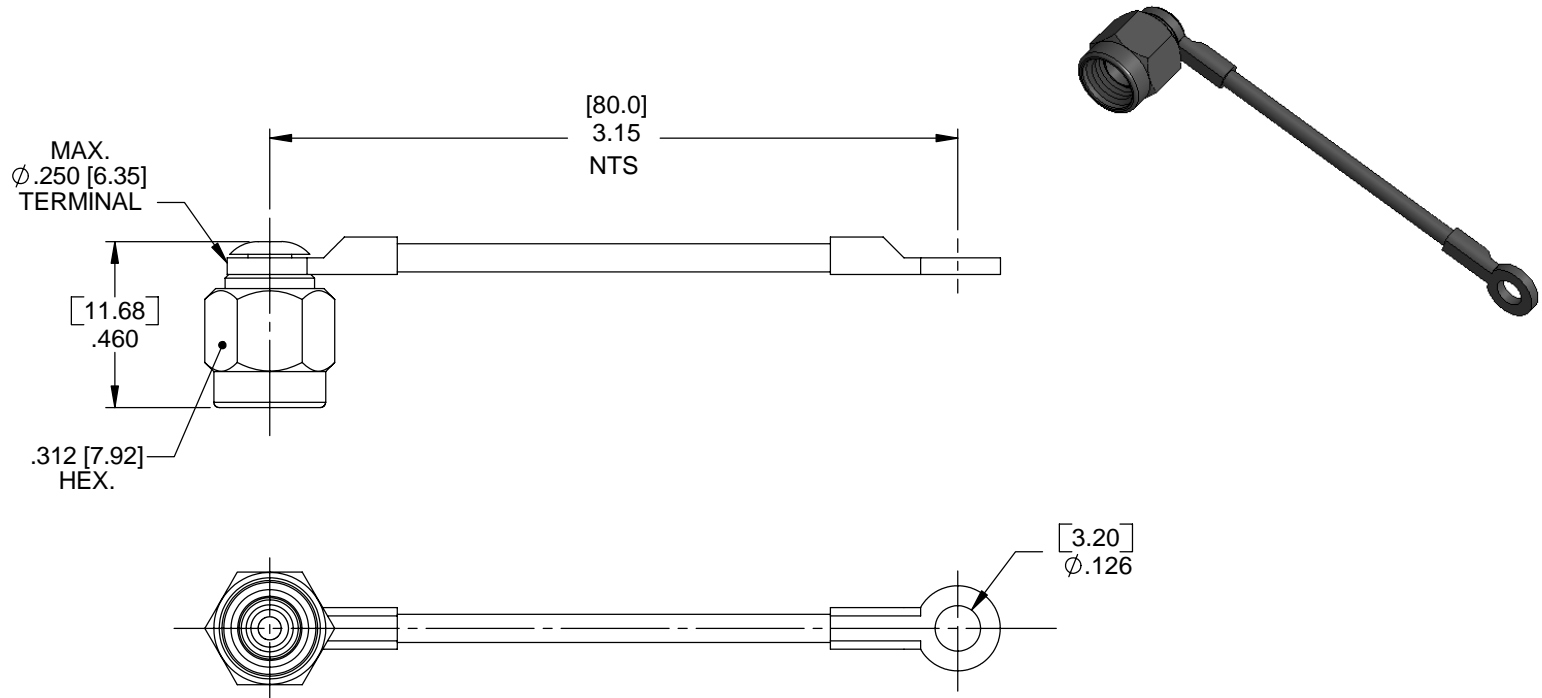
MATERIAL/FINISH PROPERTIES

MATERIAL PROPERTIES:
 BODY: BRASS PER ASTM B16 OR EQUIVALENT
 SLEEVE: STAINLESS STEEL PER ASTM A582 OR EQUIVALENT
 GASKET: SILICONE RUBBER PER A-A-59588 OR EQUIVALENT
 CORD: BRAIDED POLYPROPYLENE (ϕ 2.0mm); COLOR: BLACK

PLATING PROPERTIES:
 METAL PARTS: .000200 MIN. MATTE, NON-REFLECTIVE, BLACK ZINC

MECHANICAL/ELECTRICAL PROPERTIES

CONNECTOR MEETS: MIL-STD-348 FIG. 310-1, MIL-PRF-39012
 ASSEMBLY MEETS: RoHS 2002/95/EC STANDARDS
 CONNECTOR DURABILITY: 250 CYCLES MIN.
 IMPEDANCE: N/A
 FREQUENCY RANGE: N/A
 VOLTAGE RATING: N/A
 INSULATION RESISTANCE: N/A



C	ECN 1322	TLB	07/05/11
B	ECN 1272	TLB	01/29/10
A	NPR 520	TLB	05/07/08
REV	DESCRIPTION	APPR	DATE

IntelliConnect

UNLESS OTHERWISE SPECIFIED
 ALL DIMENSIONS ARE REFERENCE
 X.XXX DIM'S = INCHES * [X.XX] DIM'S = MILLIMETERS
 SURFACE FINISH: 63 MICRO MAX.
 ALL DIAMETERS TO BE CONCENTRIC WITHIN .005 F.I.M.

TITLE: SMA DUST CAP PLUG WITH CORD

MATERIAL & FINISH: PER TABLE ABOVE

DRAWN BY: SRS DATE: 05/07/08	CHECK BY: PCS DATE: 05/07/08	APPR. BY: TLB DATE: 05/07/08
CAGE CODE NO: 5N5S5	SCALE: 2:1	SIZE: A
SALES DRAWING	PART NO. 0140-P1CH-000-100Z	SHEET 1 OF 1