

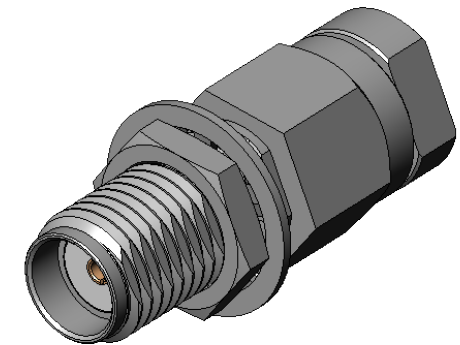
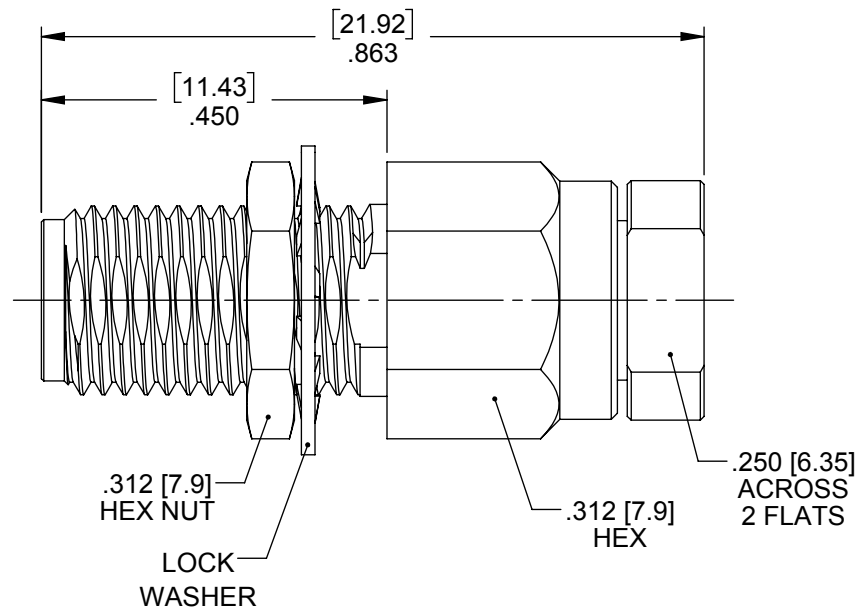
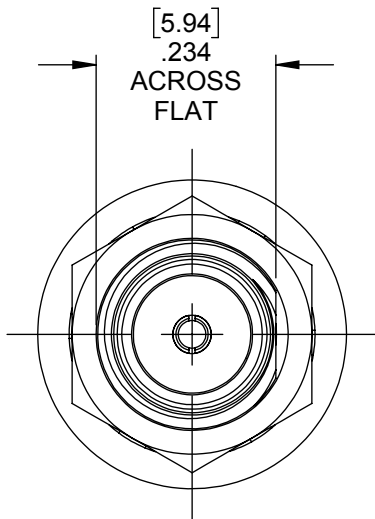
MATERIAL/FINISH PROPERTIES

MATERIAL PROPERTIES:
 BODY: STAINLESS STEEL PER ASTM A582 OR EQUIVALENT
 CONTACT: BERYLLIUM COPPER PER ASTM B196 OR EQUIVALENT
 INSULATOR: PTFE PER ASTM D1710 OR EQUIVALENT

PLATING PROPERTIES:
 BODY: PASSIVATE PER QQ-P-35, TYPE II
 CONTACT: .000030 MIN. GOLD PER MIL-G-45204 OVER
 .000050 MIN. NICKEL PER QQ-N-290

MECHANICAL/ELECTRICAL PROPERTIES

CONNECTOR MEETS: MIL-STD-348 FIG. 310-2, MIL-PRF-39012
 CONNECTOR MEETS: RoHS 2002/95/EC STANDARDS
 CONNECTOR DURABILITY: 500 CYCLES MIN.
 MOUNTING: PER ES117-BK300
 PANEL THICKNESS: .125 [3.2] MAX.
 CABLE: RG402 OR EQUIVALENT
 ASSEMBLY INSTRUCTIONS:
 IMPEDANCE: 50 OHMS NOMINAL
 FREQUENCY RANGE: DC-18 GHz
 VOLTAGE RATING: 335 VRMS



IntelliConnect

TITLE: SMA STRAIGHT CABLED BULKHEAD JACK
SOLDERLESS

MATERIAL & FINISH: PER TABLE ABOVE

DRAWN BY: MS	CHECK BY: NB	APPR. BY: REP
DATE: 10/31/16	DATE: 10/31/16	DATE: 10/31/16

CAGE CODE NO: 5N5S5	SCALE: 4:1	SIZE: A	REV: 1
----------------------------	-------------------	----------------	---------------

SALES DRAWING	PART NO. 5139-J1BK-604-100P	SHEET 1 OF 1
----------------------	---------------------------------------	------------------------

UNLESS OTHERWISE SPECIFIED

ALL DIMENSIONS ARE REFERENCE
 X.XXX DIM'S = INCHES * [X.XX] DIM'S = MILLIMETERS
 SURFACE FINISH: 63 MICRO MAX.
 ALL DIAMETERS TO BE CONCENTRIC WITHIN .005 F.I.M.

1	NPR 1313E	REP	10/31/16
REV	DESCRIPTION	APPR	DATE