

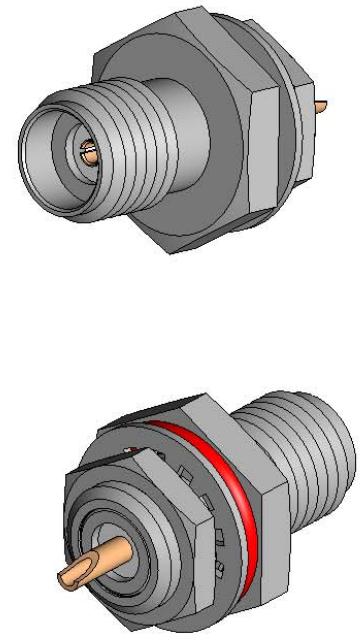
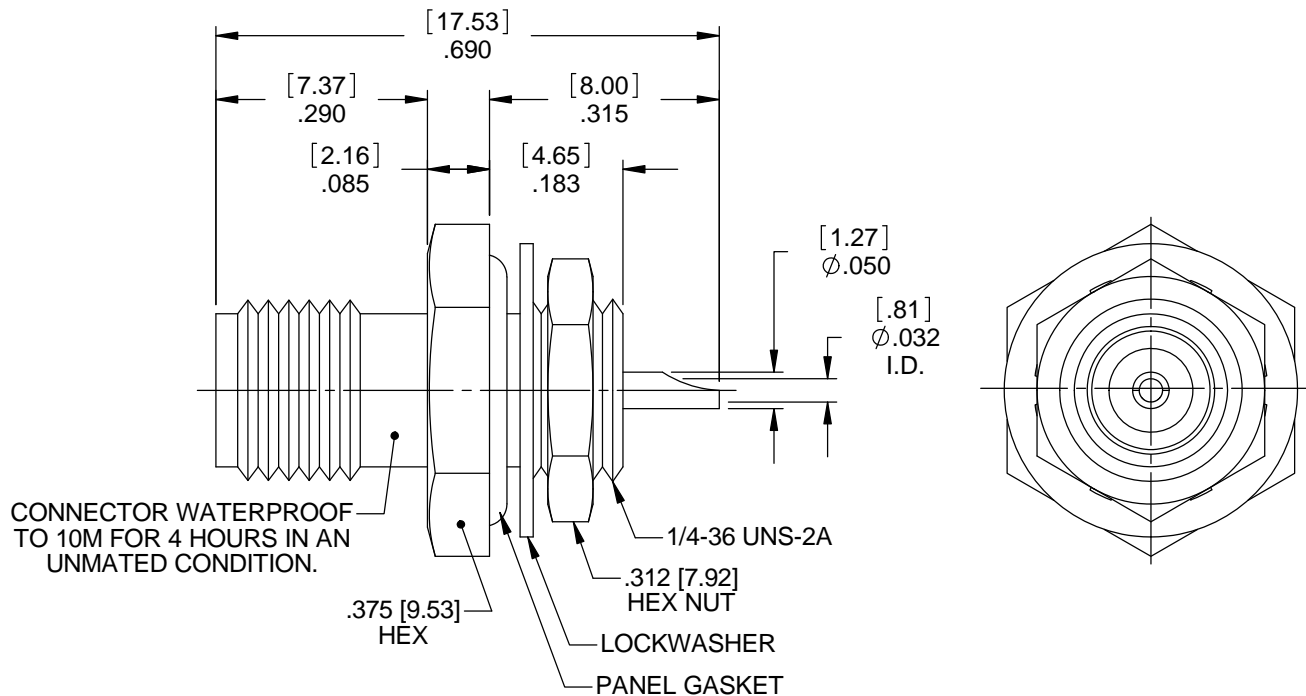
MATERIAL/FINISH PROPERTIES

MATERIAL PROPERTIES:
 BODY: STAINLESS STEEL PER ASTM A582 OR EQUIVALENT
 CONTACT: BERYLLIUM COPPER PER ASTM B196 OR EQUIVALENT
 INSULATOR: PTFE PER ASTM D1710 OR EQUIVALENT
 GASKETS: SILICONE RUBBER PER AA59588 OR EQUIVALENT

PLATING PROPERTIES:
 BODY: PASSIVATE PER QQ-P-35, TYPE II
 CONTACT: .000030 MIN. GOLD PER MIL-G-45204 OVER
 .000050 MIN. NICKEL PER QQ-N-290

MECHANICAL/ELECTRICAL PROPERTIES

CONNECTOR MEETS: MIL-STD-348 FIG. 310-2, MIL-PRF-39012
 CONNECTOR MEETS: RoHS 2002/95/EC STANDARDS
 CONNECTOR DURABILITY: 500 CYCLES MIN.
 MOUNTING: PER ES117-BK070
 PANEL THICKNESS: .093 [2.4] MAX.
 IMPEDANCE: 50 OHMS NOMINAL
 FREQUENCY RANGE: DC-18 GHz
 VOLTAGE RATING: 335 VRMS
 INSULATION RESISTANCE: 5,000 MEGOHMS
 DIELECTRIC WITHSTANDING VOLTAGE: 1,500 VRMS



F	ECN 1429	TLB	11/22/13
E	ECN 1365	TLB	05/04/12
D	ECN 1353	TLB	01/31/12
C	ECN 1336	TLB	01/11/12
B	ECN 1149	TLB	11/14/06
A	NPR 427	TLB	10/31/06
REV	DESCRIPTION	APPR	DATE



UNLESS OTHERWISE SPECIFIED
 ALL DIMENSIONS ARE REFERENCE
 X.XXX DIM'S = INCHES * [X.XX] DIM'S = MILLIMETERS
 SURFACE FINISH: 63 MICRO MAX.
 ALL DIAMETERS TO BE CONCENTRIC WITHIN .005 F.I.M.

TITLE: SMA SEALED STRAIGHT BULKHEAD MOUNT JACK WITH SOLDER CUP CONTACT			
MATERIAL & FINISH: PER TABLE ABOVE			
DRAWN BY: SRS	CHECK BY: PCS	APPR. BY: TLB	
DATE: 02/28/05	DATE: 02/28/05	DATE: 02/28/05	
CAGE CODE NO: 5N5S5	SCALE: 4:1	SIZE: A	REV: F
SALES DRAWING	PART NO. 5139-J1BK-000-106P	SHEET 1 OF 1	