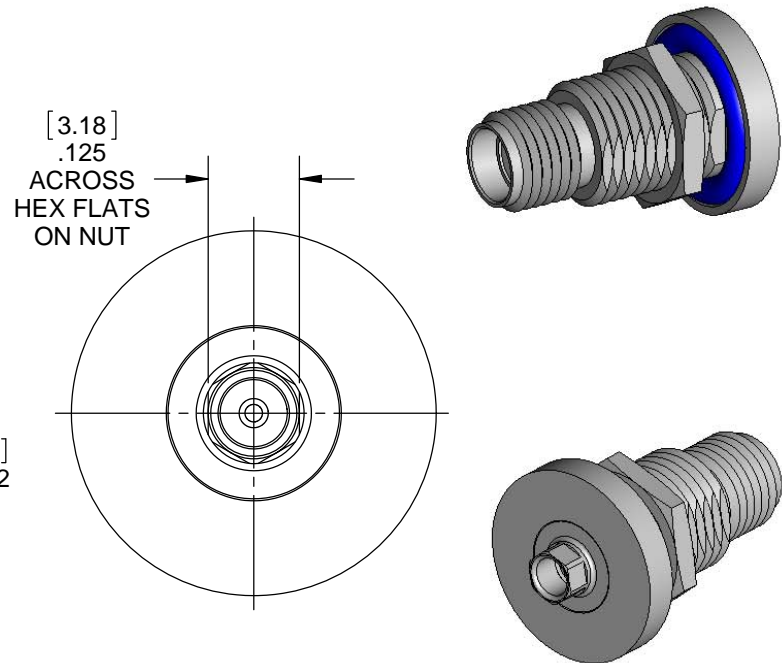
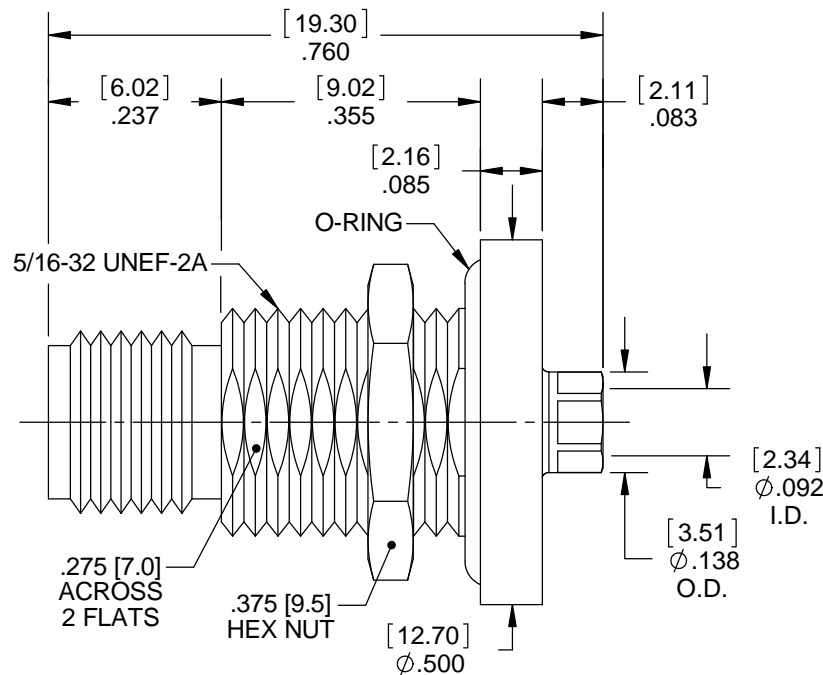


MATERIAL/FINISH PROPERTIES

MATERIAL PROPERTIES:
 BODY: STAINLESS STEEL PER ASTM A582 OR EQUIVALENT
 CONTACT: BERYLLIUM COPPER PER ASTM B196 OR EQUIVALENT
 INSULATOR: PTFE PER ASTM D1710 OR EQUIVALENT
 HEX NUT: STAINLESS STEEL PER ASTM A582 OR EQUIVALENT
 O-RING: FLUOROSILICONE PER MIL-R-25988 OR EQUIVALENT, COLOR: BLUE
PLATING PROPERTIES:
 BODY: PASSIVATE PER QQ-P-35, TYPE II
 CONTACT/SOLDER BODY: .000030 MIN. GOLD PER MIL-G-45204 OVER
 .000050 MIN. NICKEL PER QQ-N-290
 HEX NUT: PASSIVATE PER QQ-P-35, TYPE II

MECHANICAL/ELECTRICAL PROPERTIES

CONNECTOR MEETS: MIL-STD-348 FIG. 310-2, MIL-PRF-39012
 CONNECTOR MEETS: RoHS 2002/95/EC STANDARDS
 CONNECTOR DURABILITY: 500 CYCLES MIN.
 MOUNTING: PER ES117-BK450
 PANEL THICKNESS: .250 [6.4] MAX.
 CABLE: RG405 (.085 S/R) OR EQUIVALENT
 ASSEMBLY INSTRUCTIONS: AI499
 IMPEDANCE: 50 OHMS NOMINAL
 FREQUENCY RANGE: DC-18 GHz
 VOLTAGE RATING: 335 VRMS
 INSULATION RESISTANCE: 5,000 MEGOHMS



IntelliConnect

UNLESS OTHERWISE SPECIFIED

ALL DIMENSIONS ARE REFERENCE
 X.XXX DIM'S = INCHES * [X.XX] DIM'S = MILLIMETERS
 SURFACE FINISH: 63 MICRO MAX.
 ALL DIAMETERS TO BE CONCENTRIC WITHIN .005 F.I.M.

TITLE: SMA STRAIGHT BULKHEAD MOUNT CABLE JACK

MATERIAL & FINISH: PER TABLE ABOVE

DRAWN BY: SRS	CHECK BY: PCS	APPR. BY: TLB
DATE: 10/24/13	DATE: 10/24/13	DATE: 10/24/13
CAGE CODE NO: 5N5S5	SCALE: 4:1	SIZE: A
SALES DRAWING	PART NO. 5139-J1BK-103-101P	REV A
		SHEET 1 OF 1

A	NPR 965E	TLB	10/24/13
REV	DESCRIPTION	APPR	DATE