

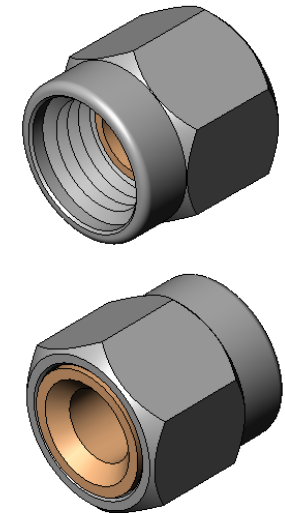
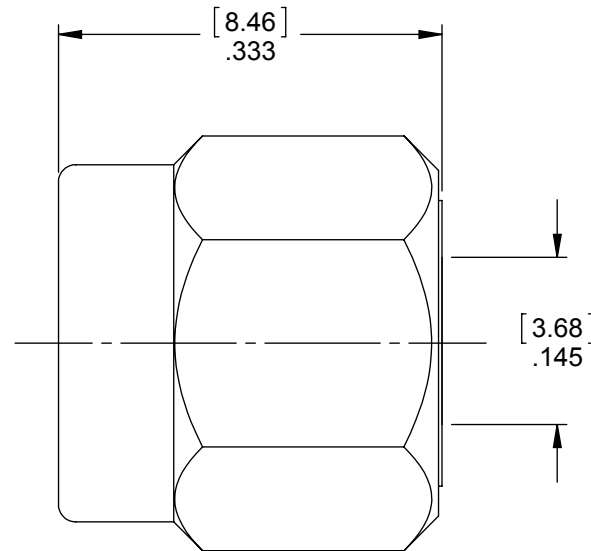
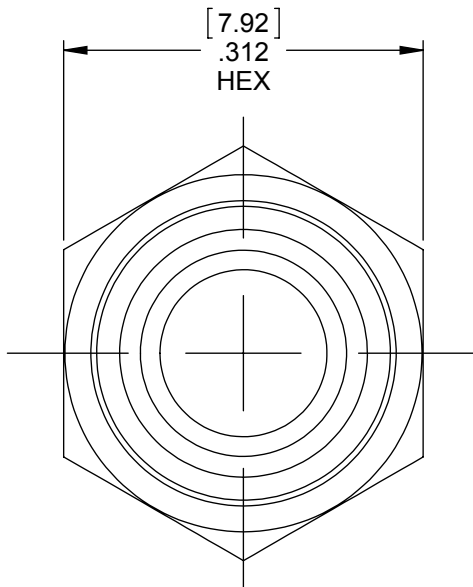
MATERIAL/FINISH PROPERTIES

MATERIAL PROPERTIES:
 BODY: STAINLESS STEEL PER ASTM A582 OR EQUIVALENT
 GASKET: SILICONE RUBBER PER A-A-59588 OR EQUIVALENT

PLATING PROPERTIES:
 MAIN BODY: PASSIVATE PER QQ-P-35, TYPE II
 SOLDER BODY: .000010 MIN. GOLD PER MIL-G-45204 OVER
 .000050 MIN. NICKEL PER QQ-N-290

MECHANICAL/ELECTRICAL PROPERTIES

CONNECTOR MEETS: MIL-STD-348 FIG. 310-3, MIL-PRF-39012
 CONNECTOR MEETS: RoHS 2002/95/EC STANDARDS
 CONNECTOR DURABILITY: 250 CYCLES MIN.
 CABLE: RG402 (.141 S/R)
 IMPEDANCE: 50 OHMS NOMINAL
 FREQUENCY RANGE: DC-18 GHz
 VOLTAGE RATING: 335 VRMS
 INSULATION RESISTANCE: 5,000 MEGOHMS
 DIELECTRIC WITHSTANDING VOLTAGE: 1,500 VRMS



IntelliConnect

UNLESS OTHERWISE SPECIFIED

ALL DIMENSIONS ARE REFERENCE
 X.XXX DIM'S = INCHES * [X.XX] DIM'S = MILLIMETERS
 SURFACE FINISH: 63 MICRO MAX.
 ALL DIAMETERS TO BE CONCENTRIC WITHIN .005 F.I.M.

TITLE: SMA STRAIGHT CABLED PLUG
(WITHOUT CONTACT)

MATERIAL & FINISH: PER TABLE ABOVE

DRAWN BY: MS	CHECK BY: GHM	APPR. BY: REP
DATE: 12/02/15	DATE: 12/02/15	DATE: 12/02/15

CAGE CODE NO: 5N5S5	SCALE: 6:1	SIZE: A	REV: A
----------------------------	-------------------	----------------	---------------

SALES DRAWING	PART NO. 5139-P1NN-104-107P	SHEET 1 OF 1
----------------------	---------------------------------------	------------------------

A	NPR 1217E	REP	12/02/15
REV	DESCRIPTION	APPR	DATE