

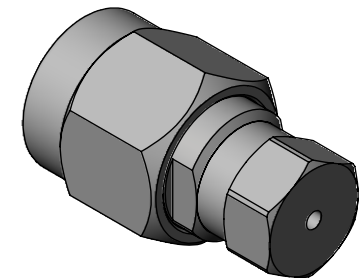
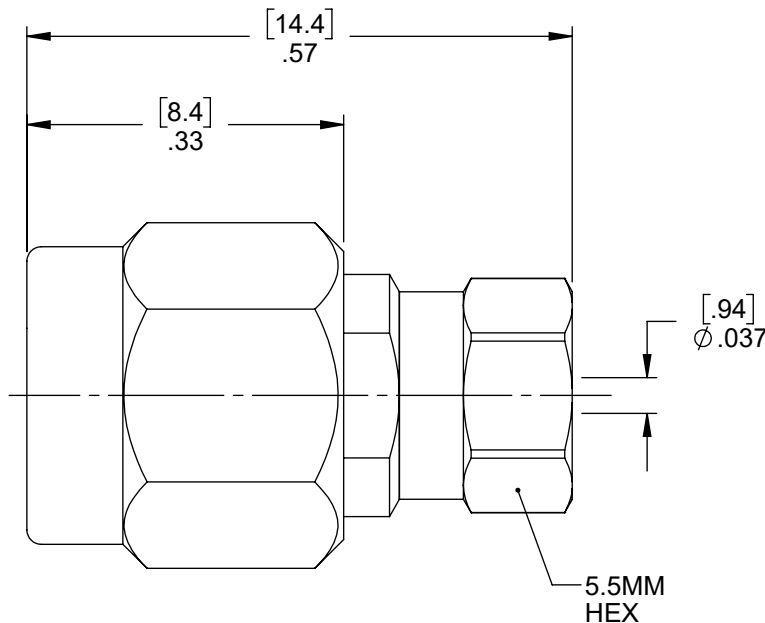
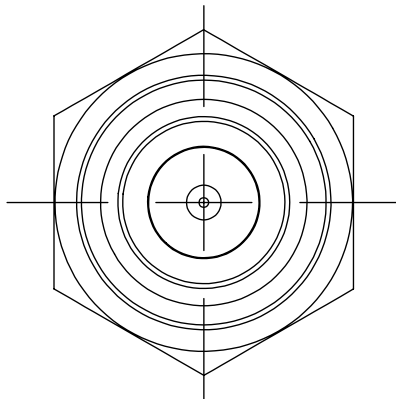
MATERIAL/FINISH PROPERTIES

MATERIAL PROPERTIES:
 BODY: STAINLESS STEEL PER ASTM A582 OR EQUIVALENT
 BUSHING: BRASS PER ASTM B16 OR EQUIVALENT
 CONTACT: BERYLLIUM COPPER PER ASTM B196 OR EQUIVALENT
 INSULATOR: PTFE PER ASTM D1710 OR EQUIVALENT

PLATING PROPERTIES:
 BODY: PASSIVATE PER QQ-P-35, TYPE II
 BUSHING: .000030 MIN. GOLD PER MIL-G-45204
 .000050 MIN. NICKEL PER QQ-N-290
 CONTACT: .000040 MIN. GOLD PER MIL-G-45204
 .000050 MIN. NICKEL PER QQ-N-290

MECHANICAL/ELECTRICAL PROPERTIES

CONNECTOR MEETS: MIL-STD-348 FIG. 310-1, MIL-PRF-39012
 CONNECTOR MEETS: RoHS 3 2015/863/EU STANDARDS
 CONNECTOR DURABILITY: 250 CYCLES MIN.
 CABLE: .034" SEMI RIGID
 CABLE RETENTION FORCE MIN: 22LBS [10KG] (ST/STEEL)
 11LBS [5KG] (NbTi)
 ASSEMBLY INSTRUCTIONS: AI572
 IMPEDANCE: 50 OHMS NOMINAL
 FREQUENCY RANGE: DC-18 GHz
 VOLTAGE RATING: 335 VRMS
 INSULATION RESISTANCE: 5,000 MEGOHMS



IntelliConnect

TITLE: SMA STRAIGHT CABLED SOLDERLESS PLUG

MATERIAL & FINISH: PER TABLE ABOVE

UNLESS OTHERWISE SPECIFIED

ALL DIMENSIONS ARE REFERENCE
 X.XXX DIM'S = INCHES * [X.XX] DIM'S = MILLIMETERS
 SURFACE FINISH: 63 MICRO MAX.
 ALL DIAMETERS TO BE CONCENTRIC WITHIN .005 F.I.M.

DRAWN BY: MS	CHECK BY: NB	APPR. BY: REP
DATE: 05/22/20	DATE: 05/22/20	DATE: 05/22/20

CAGE CODE NO: 5N5S5	SCALE: 5:1	SIZE: A	REV: B
----------------------------	-------------------	----------------	---------------

SALES DRAWING	PART NO. 5139-P1NN-652-101P	SHEET 1 OF 1
----------------------	---------------------------------------	------------------------

REV	DESCRIPTION	APPR	DATE
B	ECN 1763	MS	07/05/21
A	NPR 1760E	REP	05/22/20