

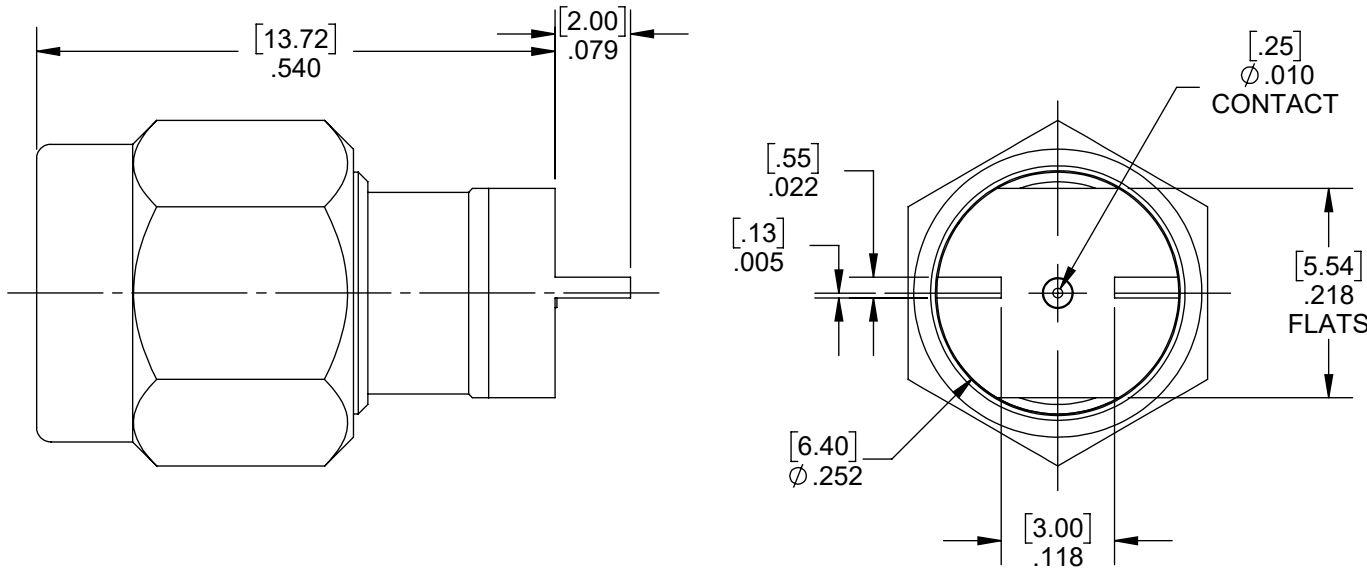
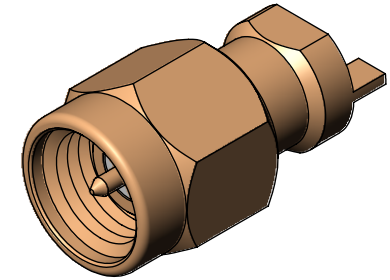
**MATERIAL/FINISH PROPERTIES**

**MATERIAL PROPERTIES:**  
 SLEEVE/BODY: BERYLLIUM COPPER PER ASTM B196 OR EQUIVALENT  
 CONTACT: BERYLLIUM COPPER PER ASTM B196 OR EQUIVALENT  
 INSULATOR: PTFE PER ASTM D1710 OR EQUIVALENT

**PLATING PROPERTIES:**  
 SLEEVE/BODY: .000040 MIN. GOLD PER MIL-G-45204 OVER  
 .000050 MIN. COPPER PER MIL-G-14550  
 CONTACT: .000040 MIN. GOLD PER MIL-G-45204 OVER  
 .000050 MIN. COPPER PER MIL-G-14550

**MECHANICAL/ELECTRICAL PROPERTIES**

CONNECTOR MEETS: MIL-STD-348 FIG. 310-1, MIL-PRF-39012  
 CONNECTOR MEETS: RoHS 3 2015/863/EU STANDARDS  
 CONNECTOR DURABILITY: 500 CYCLES MIN.  
 IMPEDANCE: 50 OHMS NOMINAL  
 FREQUENCY RANGE: DC-26 GHz  
 VOLTAGE RATING: 335 VRMS  
 INSULATION RESISTANCE: 5,000 MEGOHMS  
 DIELECTRIC WITHSTANDING VOLTAGE: 1,500 VRMS



**IntelliConnect**

**TITLE:** SMA EDGE MOUNT PLUG, NON-MAGNETIC

**MATERIAL & FINISH:** PER TABLE ABOVE

**UNLESS OTHERWISE SPECIFIED**

ALL DIMENSIONS ARE REFERENCE

X.XXX DIM'S = INCHES \* [X.XX] DIM'S = MILLIMETERS

SURFACE FINISH: 63 MICRO MAX.

ALL DIAMETERS TO BE CONCENTRIC WITHIN .005 F.I.M.

**DRAWN BY:** MS  
**DATE:** 03/31/20

**CHECK BY:** NB  
**DATE:** 03/31/20

**APPR. BY:** REP  
**DATE:** 03/31/20

**CAGE CODE NO:** 5N5S5

**SCALE**  
5:1

**SIZE**  
A

**REV**  
A

**SALES DRAWING**

**PART NO.**  
5141-P1EG-000-100G

**SHEET**  
1 OF 1

REV	DESCRIPTION	APPR	DATE
A	NPR 1729E	REP	03/31/20