

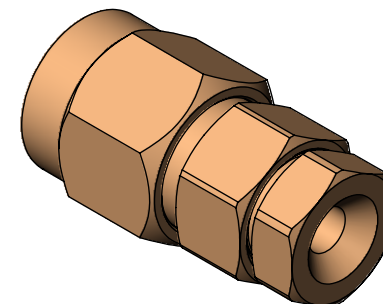
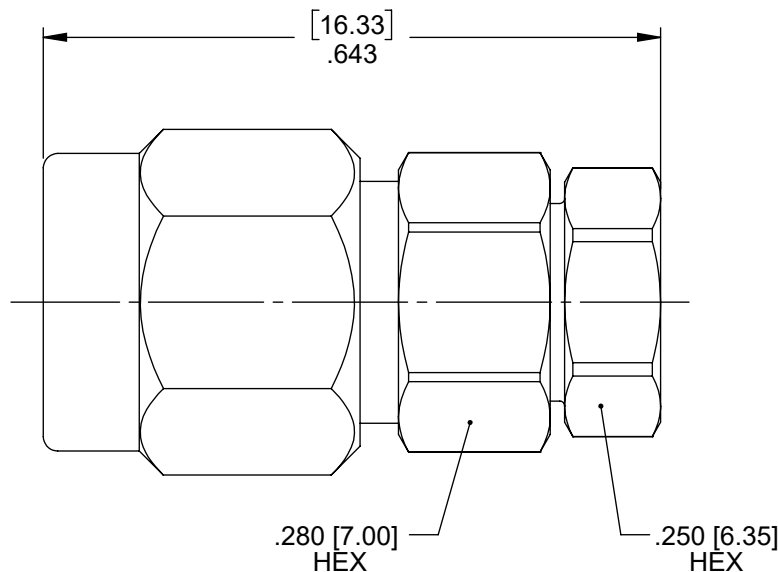
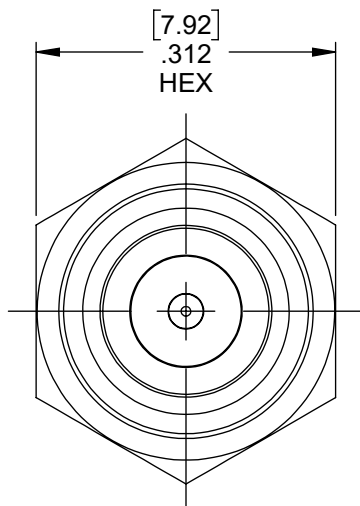
MATERIAL/FINISH PROPERTIES

MATERIAL PROPERTIES:
 BODY/SLEEVE/NUT: BERYLLIUM COPPER PER ASTM B196 OR EQUIVALENT
 CONTACT: BERYLLIUM COPPER PER ASTM B196 OR EQUIVALENT
 INSULATOR: PTFE PER ASTM D1710 OR EQUIVALENT

PLATING PROPERTIES:
 BODY/SLEEVE NUT: .000040 MIN. GOLD PER MIL-G-45204 OVER
 .000050 MIN. COPPER PER MIL-C-14550
 CONTACT: .000040 MIN. GOLD PER MIL-G-45204 OVER
 .000050 MIN. COPPER PER MIL-C-14550

MECHANICAL/ELECTRICAL PROPERTIES

CONNECTOR MEETS: MIL-STD-348 FIG. 310-1, MIL-PRF-39012
 CONNECTOR MEETS: RoHS 3, 2015/863/EU STANDARDS
 CONNECTOR DURABILITY: 500 CYCLES MIN.
 CABLE: RG405 (.086 S/R)
 ASSEMBLY INSTRUCTION: AI550
 IMPEDANCE: 50 OHMS NOMINAL
 FREQUENCY RANGE: DC-18 GHz
 VOLTAGE RATING: 335 VRMS
 INSULATION RESISTANCE: 5,000 MEGOHMS
 DIELECTRIC WITHSTANDING VOLTAGE: 1,500 VRMS



IntelliConnect

UNLESS OTHERWISE SPECIFIED
 ALL DIMENSIONS ARE REFERENCE
 X.XXX DIM'S = INCHES * [X.XX] DIM'S = MILLIMETERS
 SURFACE FINISH: 63 MICRO MAX.
 ALL DIAMETERS TO BE CONCENTRIC WITHIN .005 F.I.M.

TITLE: SMA STRAIGHT CABLED SOLDERLESS PLUG (NON-MAGNETIC)

MATERIAL & FINISH: PER TABLE ABOVE

| | | |
|-----------------------|-----------------------|-----------------------|
| DRAWN BY: JDH | CHECK BY: MS | APPR. BY: REP |
| DATE: 08/02/19 | DATE: 08/02/19 | DATE: 08/02/19 |

| | | | |
|----------------------------|-------------------|----------------|---------------|
| CAGE CODE NO: 5N5S5 | SCALE: 5:1 | SIZE: A | REV: A |
|----------------------------|-------------------|----------------|---------------|

| | | |
|----------------------|---------------------------------------|------------------------|
| SALES DRAWING | PART NO. 5141-P1NN-603-100G | SHEET 1 OF 1 |
|----------------------|---------------------------------------|------------------------|

| | | | |
|-----|-------------|------|----------|
| | | | |
| | | | |
| | | | |
| | | | |
| A | NPR 1679E | REP | 08/02/19 |
| REV | DESCRIPTION | APPR | DATE |