

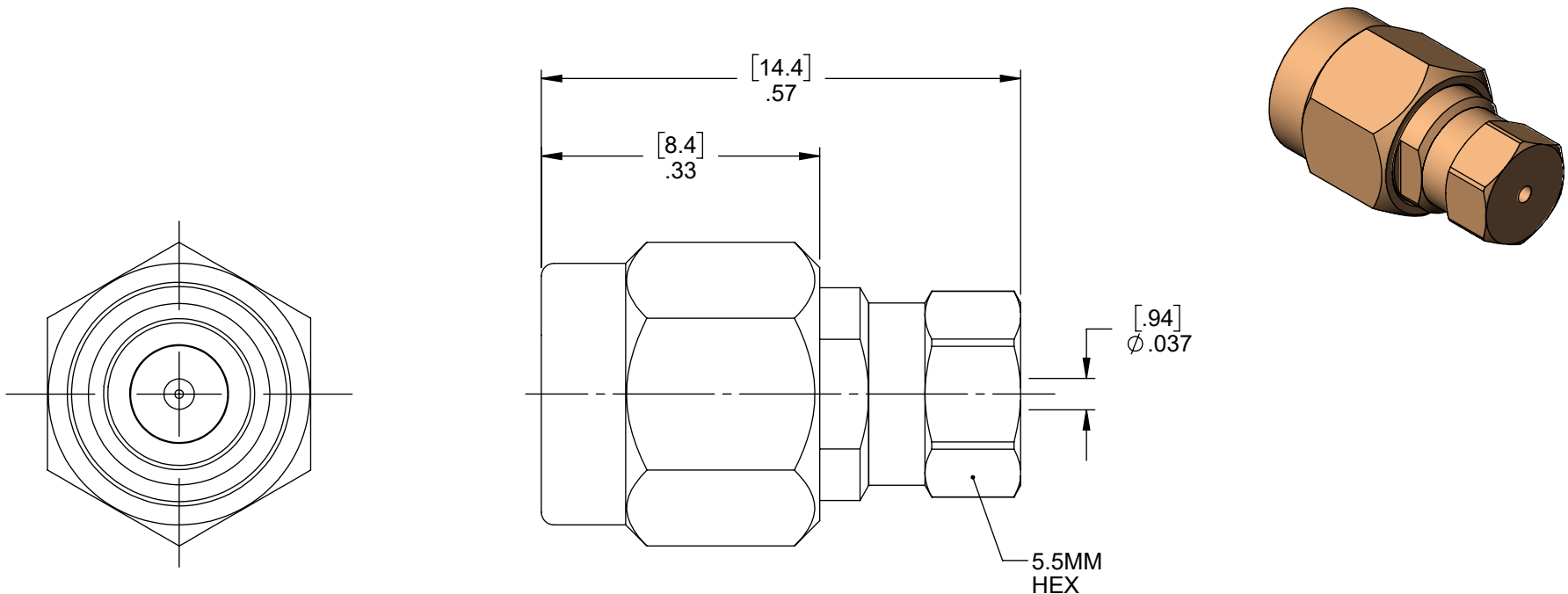
**MATERIAL/FINISH PROPERTIES**

**MATERIAL PROPERTIES:**  
 BODY/SLEEVE/NUT: BERYLLIUM COPPER PER ASTM B196 OR EQUIVALENT  
 BUSHING: BERYLLIUM COPPER PER ASTM B196 OR EQUIVALENT  
 CONTACT: BERYLLIUM COPPER PER ASTM B196 OR EQUIVALENT  
 INSULATOR: PTFE PER ASTM D1710 OR EQUIVALENT

**PLATING PROPERTIES:**  
 BODY/SLEEVE/NUT: .000040 MIN. GOLD PER MIL-G-45204 OVER  
 .000050 MIN. COPPER PER MIL-C-14550  
 BUSHING: .000040 MIN. GOLD PER MIL-G-45204 OVER  
 .000050 MIN. COPPER PER MIL-C-14550  
 CONTACT: .000040 MIN. GOLD PER MIL-G-45204 OVER  
 .000050 MIN. COPPER PER MIL-C-14550

**MECHANICAL/ELECTRICAL PROPERTIES**

CONNECTOR MEETS: MIL-STD-348 FIG. 310-1, MIL-PRF-39012  
 CONNECTOR MEETS: RoHS 3 2015/863/EU STANDARDS  
 CONNECTOR DURABILITY: 250 CYCLES MIN.  
 CABLE: .034" SEMI RIGID  
 CABLE RETENTION FORCE MIN: 22LBS [10KG] (ST/STEEL)  
 11LBS [5KG] (NbTi)  
 ASSEMBLY INSTRUCTIONS: AI572  
 IMPEDANCE: 50 OHMS NOMINAL  
 FREQUENCY RANGE: DC-18 GHz  
 VOLTAGE RATING: 335 VRMS  
 INSULATION RESISTANCE: 5,000 MEGOHMS



A	NPR 1760E	REP	06/26/20
REV	DESCRIPTION	APPR	DATE

**IntelliConnect**

**UNLESS OTHERWISE SPECIFIED**  
 ALL DIMENSIONS ARE REFERENCE  
 X.XXX DIM'S = INCHES \* [X.XX] DIM'S = MILLIMETERS  
 SURFACE FINISH: 63 MICRO MAX.  
 ALL DIAMETERS TO BE CONCENTRIC WITHIN .005 F.I.M.

**TITLE:** SMA STRAIGHT CABLED SOLDERLESS PLUG (NON-MAGNETIC)

**MATERIAL & FINISH:** PER TABLE ABOVE

<b>DRAWN BY:</b> NB	<b>CHECK BY:</b> MS	<b>APPR. BY:</b> REP
<b>DATE:</b> 06/26/20	<b>DATE:</b> 06/26/20	<b>DATE:</b> 06/26/20

<b>CAGE CODE NO:</b> 5N5S5	<b>SCALE:</b> 5:1	<b>SIZE:</b> A	<b>REV:</b> A
----------------------------	-------------------	----------------	---------------

<b>SALES DRAWING</b>	<b>PART NO.</b> 5141-P1NN-652-100G	<b>SHEET</b> 1 OF 1
----------------------	---------------------------------------	------------------------