

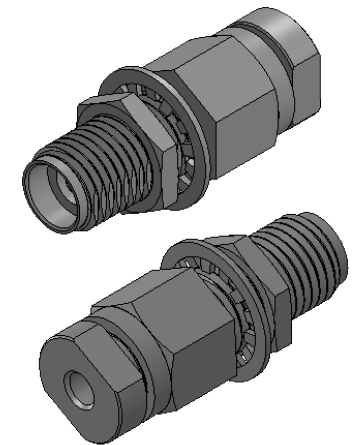
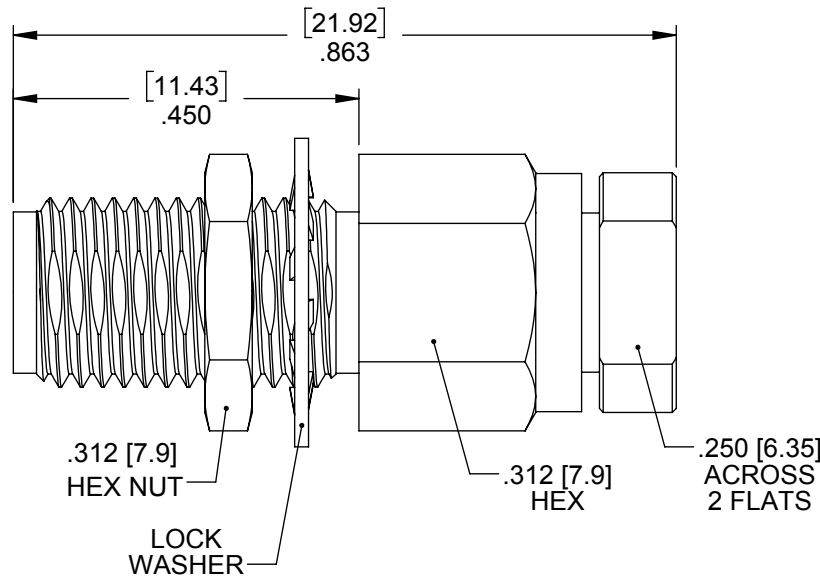
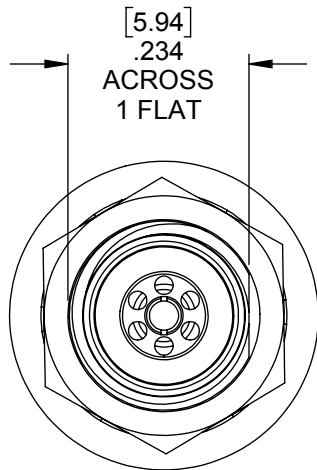
MATERIAL/FINISH PROPERTIES

MATERIAL PROPERTIES:
 BODY: STAINLESS STEEL PER ASTM A582 OR EQUIVALENT
 CONTACT: BERYLLIUM COPPER PER ASTM B196 OR EQUIVALENT
 INSULATOR: PCTFE (KEL-F) PER ASTM-D-1430-03 OR EQUIVALENT

PLATING PROPERTIES:
 BODY: PASSIVATE PER QQ-P-35, TYPE II
 CONTACT: .000030 MIN. GOLD PER MIL-G-45204 OVER
 .000050 MIN. NICKEL PER QQ-N-290

MECHANICAL/ELECTRICAL PROPERTIES

CONNECTOR MEETS: MIL-STD-348 FIG. 323-2, MIL-PRF-39012
 CONNECTOR MEETS: RoHS 2011/65/EU STANDARDS
 CONNECTOR DURABILITY: 500 CYCLES MIN.
 MOUNTING: PER ES117-BK300
 PANEL THICKNESS: .125 [3.2] MAX.
 CABLE: RG405 OR EQUIVALENT
 ASSEMBLY INSTRUCTIONS: A1531
 IMPEDANCE: 50 OHMS NOMINAL
 FREQUENCY RANGE: DC-40 GHZ
 VOLTAGE RATING: 335 VRMS



IntelliConnect

UNLESS OTHERWISE SPECIFIED

ALL DIMENSIONS ARE REFERENCE
 X.XXX DIM'S = INCHES * [X.XX] DIM'S = MILLIMETERS
 SURFACE FINISH: 63 MICRO MAX.
 ALL DIAMETERS TO BE CONCENTRIC WITHIN .005 F.I.M.

TITLE: 2.92 STRAIGHT CABLED BULKHEAD JACK

MATERIAL & FINISH: PER TABLE ABOVE

DRAWN BY: MS	CHECK BY: NB	APPR. BY: REP
DATE: 10/12/16	DATE: 10/12/16	DATE: 10/12/16

CAGE CODE NO: 5N5S5	SCALE: 4:1	SIZE: A	REV: 1
----------------------------	-------------------	----------------	---------------

SALES DRAWING	PART NO. 5169-J1BK-103-101P	SHEET 1 OF 1
----------------------	---------------------------------------	------------------------

1	NPR 1313E	REP	10/12/16
REV	DESCRIPTION	APPR	DATE