

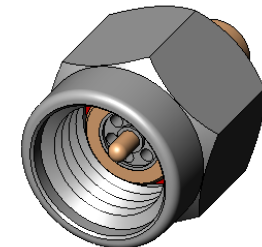
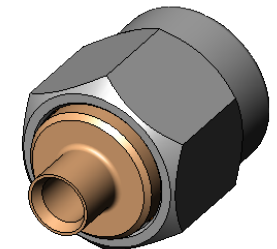
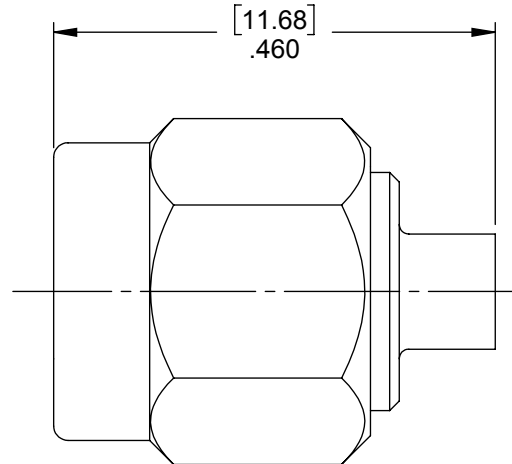
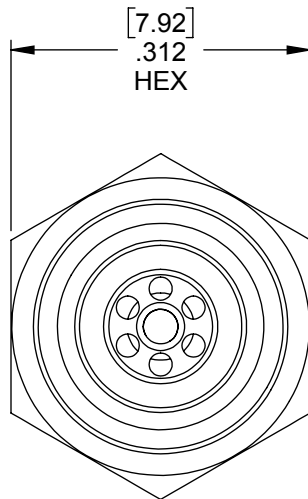
MATERIAL/FINISH PROPERTIES

MATERIAL PROPERTIES:
 BODY: STAINLESS STEEL PER ASTM A582 OR EQUIVALENT
 CONTACT: BRASS PER ASTM B16 OR EQUIVALENT
 GASKET: SILICONE RUBBER PER ZZ-R-765 OR EQUIVALENT
 INSULATOR: PCTFE (KEL-F) PER ASTM-D-1430-03 OR EQUIVALENT

PLATING PROPERTIES:
 MAIN BODY: PASSIVATE PER QQ-P-35, TYPE II
 SOLDER BODY: .000010 MIN. GOLD PER MIL-G-45204 OVER
 .000050 MIN. NICKEL PER QQ-N-290
 CONTACT: .000030 MIN. GOLD PER MIL-G-45204 OVER
 .000050 MIN. NICKEL PER QQ-N-290

MECHANICAL/ELECTRICAL PROPERTIES

CONNECTOR MEETS: MIL-STD-348 FIG. 323-1, MIL-PRF-39012
 CONNECTOR MEETS: RoHS 2002/95/EC STANDARDS
 CONNECTOR DURABILITY: 500 CYCLES MIN.
 CABLE: RG405 OR EQUIVALENT
 ASSEMBLY INSTRUCTIONS: AI520
 IMPEDANCE: 50 OHMS NOMINAL
 FREQUENCY RANGE: DC-40 GHz
 VOLTAGE RATING: 335 VRMS



IntelliConnect

UNLESS OTHERWISE SPECIFIED

ALL DIMENSIONS ARE REFERENCE
 X.XXX DIM'S = INCHES * [X.XX] DIM'S = MILLIMETERS
 SURFACE FINISH: 63 MICRO MAX.
 ALL DIAMETERS TO BE CONCENTRIC WITHIN .005 F.I.M.

TITLE: 2.92 STRAIGHT CABLED PLUG

MATERIAL & FINISH: PER TABLE ABOVE

DRAWN BY: MS	CHECK BY: REP	APPR. BY: TLB
DATE: 10/30/15	DATE: 10/30/15	DATE: 10/30/15

CAGE CODE NO: 5N5S5	SCALE: 5:1	SIZE: A	REV: A
----------------------------	-------------------	----------------	---------------

SALES DRAWING	PART NO. 5169-P1NN-103-101P	SHEET 1 OF 1
----------------------	---------------------------------------	------------------------

A	NPR 1187E	TLB	10/30/15
REV	DESCRIPTION	APPR	DATE