

MATERIAL/FINISH PROPERTIES

MATERIAL PROPERTIES:

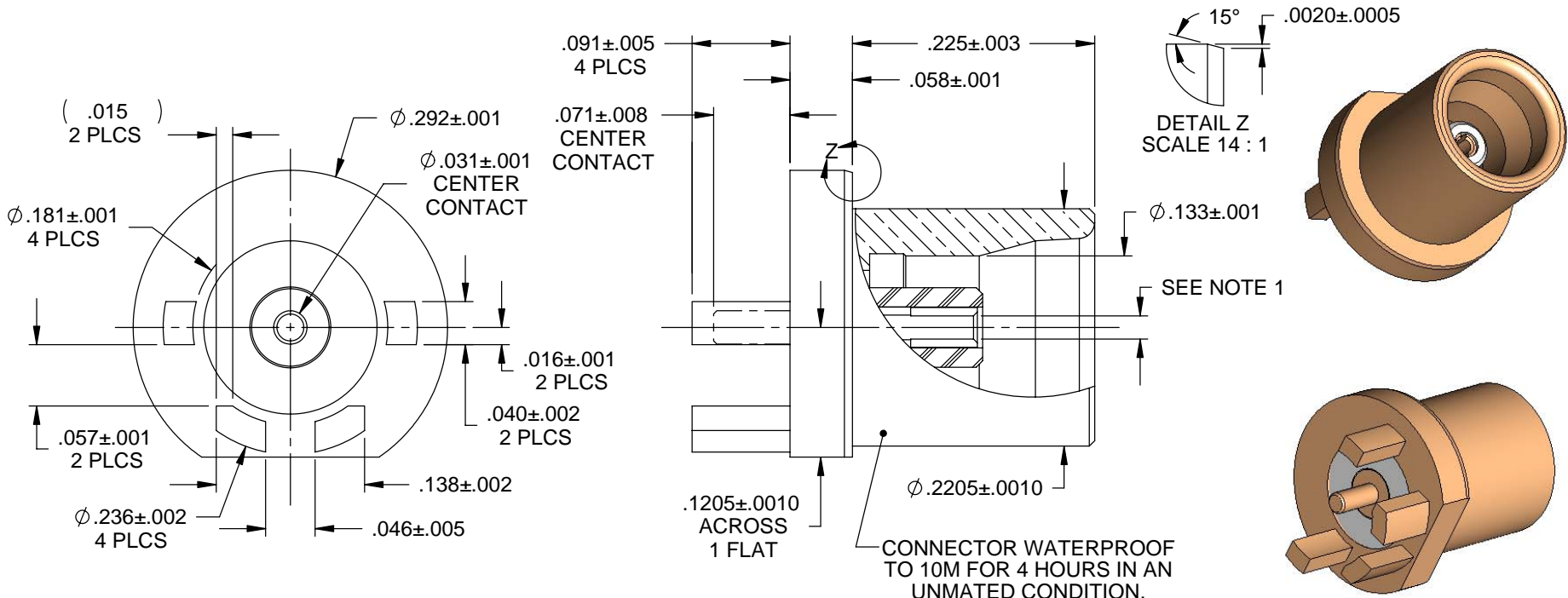
BODY: BERYLLIUM COPPER PER ASTM B196, HEAT TREATED TO H1, PER ES110
 CONTACT: BERYLLIUM COPPER PER ASTM B196, HEAT TREATED TO H1, PER ES110
 INSULATOR: PTFE PER ASTM D1710 OR EQUIVALENT
 GASKETS: SILICONE RUBBER PER AA59588 OR EQUIVALENT

PLATING PROPERTIES:

BODY: .000040 MIN. GOLD PER MIL-G-45204 OVER
 .000050 MIN. NICKEL PER QQ-N-290
 CONTACT: .000040 MIN. GOLD PER MIL-G-45204 OVER
 .000050 MIN. NICKEL PER QQ-N-290

MECHANICAL/ELECTRICAL PROPERTIES

CONNECTOR MEETS: RoHS 2002/95/EC STANDARDS
 CONNECTOR DURABILITY: 3000 CYCLES MIN.
 IMPEDANCE: 50 OHMS NOMINAL
 PCB BOARD THICKNESS: .055 MAX.
 FREQUENCY RANGE: DC-6 GHz
 VOLTAGE RATING: 335 VRMS
 INSULATION RESISTANCE: 5,000 MEGOHMS
 CONTACT RESISTANCE:
 CENTER: 5.0 MILLIOHMS MAX.
 OUTER: 1.0 MILLIOHMS MAX.



NOTES: 1. CENTER CONTACT CLOSED TO PICK UP A 1 OZ. MIN. WEIGHT ON A ϕ .0190 MAX. PIN WITH A 16 MICRO FINISH.



UNLESS OTHERWISE SPECIFIED
 ALL DIMENSIONS ARE REFERENCE
 X.XXX DIM'S = INCHES * [X.XX] DIM'S = MILLIMETERS
 SURFACE FINISH: 63 MICRO MAX.
 ALL DIAMETERS TO BE CONCENTRIC WITHIN .005 F.I.M.

TITLE: ABMS SEALED STRAIGHT EDGE MOUNT JACK

MATERIAL & FINISH: PER TABLE ABOVE

| | | |
|----------------------------|------------------------------------|-----------------------|
| DRAWN BY: SRS | CHECK BY: PCS | APPR. BY: TLB |
| DATE: 10/06/09 | DATE: 10/06/09 | DATE: 10/06/09 |
| CAGE CODE NO: 5N5S5 | SCALE: 1:0.142857 | SIZE: A |
| SALES DRAWING | PART NO. 5171-J1EG-000-100G | REV O |
| | | SHEET 1 OF 1 |

| | | | |
|------------|--------------------|-------------|-------------|
| | | | |
| | | | |
| | | | |
| O | ECN 1321 | TLB | 07/01/11 |
| N | ECN 1313 | TLB | 03/15/11 |
| REV | DESCRIPTION | APPR | DATE |