

MATERIAL/FINISH PROPERTIES

MATERIAL PROPERTIES:

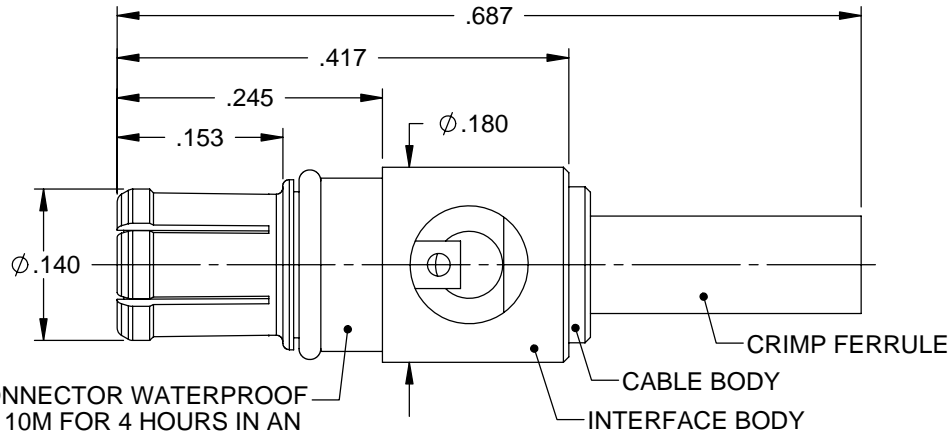
INTERFACE BODY: BERYLLIUM COPPER PER ASTM B196, HEAT TREATED TO H1, PER ES110
 CABLE BODY: BRASS PER ASTM B16 OR EQUIVALENT
 CENTER CONTACT: BERYLLIUM COPPER PER ASTM B196, HEAT TREATED TO H1, PER ES110
 INSULATOR: PTFE PER ASTM D1710 OR EQUIVALENT
 GASKETS: SILICONE RUBBER PER AA59588 OR EQUIVALENT

PLATING PROPERTIES:

INTERFACE BODY: .000040 MIN. GOLD PER MIL-G-45204 OVER
 .000050 MIN. NICKEL PER QQ-N-290
 CABLE BODY/CRIMP FERRULE: .000100 MIN. NICKEL PER QQ-N-290
 CONTACT: .000040 MIN. GOLD PER MIL-G-45204 OVER
 .000050 MIN. NICKEL PER QQ-N-290

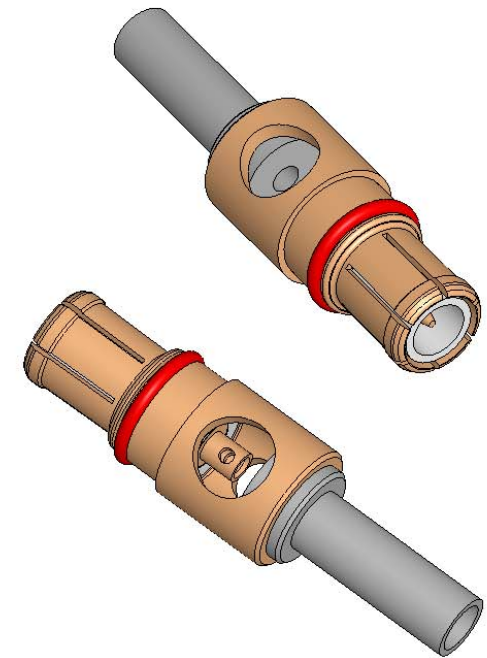
MECHANICAL/ELECTRICAL PROPERTIES

CONNECTOR MEETS: RoHS 2002/95/EC STANDARDS
 CONNECTOR DURABILITY: 3000 CYCLES MIN.
 CABLE: RG178 OR EQUIVALENT
 ASSEMBLY INSTRUCTIONS: AI417
 IMPEDANCE: 50 OHMS NOMINAL
 FREQUENCY RANGE: DC-1 GHz
 VOLTAGE RATING: 335 VRMS
 INSULATION RESISTANCE: 5,000 MEGOHMS
 CONTACT RESISTANCE:
 CENTER: 5.0 MILLIOHMS MAX.
 OUTER: 1.0 MILLIOHMS MAX.



- CONNECTOR WATERPROOF TO 10M FOR 4 HOURS IN AN UNMATED CONDITION

- FINAL CABLED CONNECTOR REQUIRES OVERMOULDING TO MEET WATERPROOFING SPECS



IntelliConnect

UNLESS OTHERWISE SPECIFIED

ALL DIMENSIONS ARE REFERENCE
 X.XXX DIM'S = INCHES * [X.XX] DIM'S = MILLIMETERS
 SURFACE FINISH: 63 MICRO MAX.
 ALL DIAMETERS TO BE CONCENTRIC WITHIN .005 F.I.M.

TITLE: ABMS SEALED STRAIGHT CABLED PLUG

MATERIAL & FINISH: PER TABLE ABOVE

DRAWN BY: SRS	CHECK BY: PCS	APPR. BY: TLB
DATE: 05/04/12	DATE: 05/04/12	DATE: 05/04/12

CAGE CODE NO: 5N5S5	SCALE: 6:1	SIZE: A	REV: 1
----------------------------	-------------------	----------------	---------------

SALES DRAWING	PART NO. 5171-P1NN-306-100Z	SHEET 1 OF 1
----------------------	---------------------------------------	------------------------

1	NPR 825E	TLB	05/04/12
REV	DESCRIPTION	APPR	DATE