

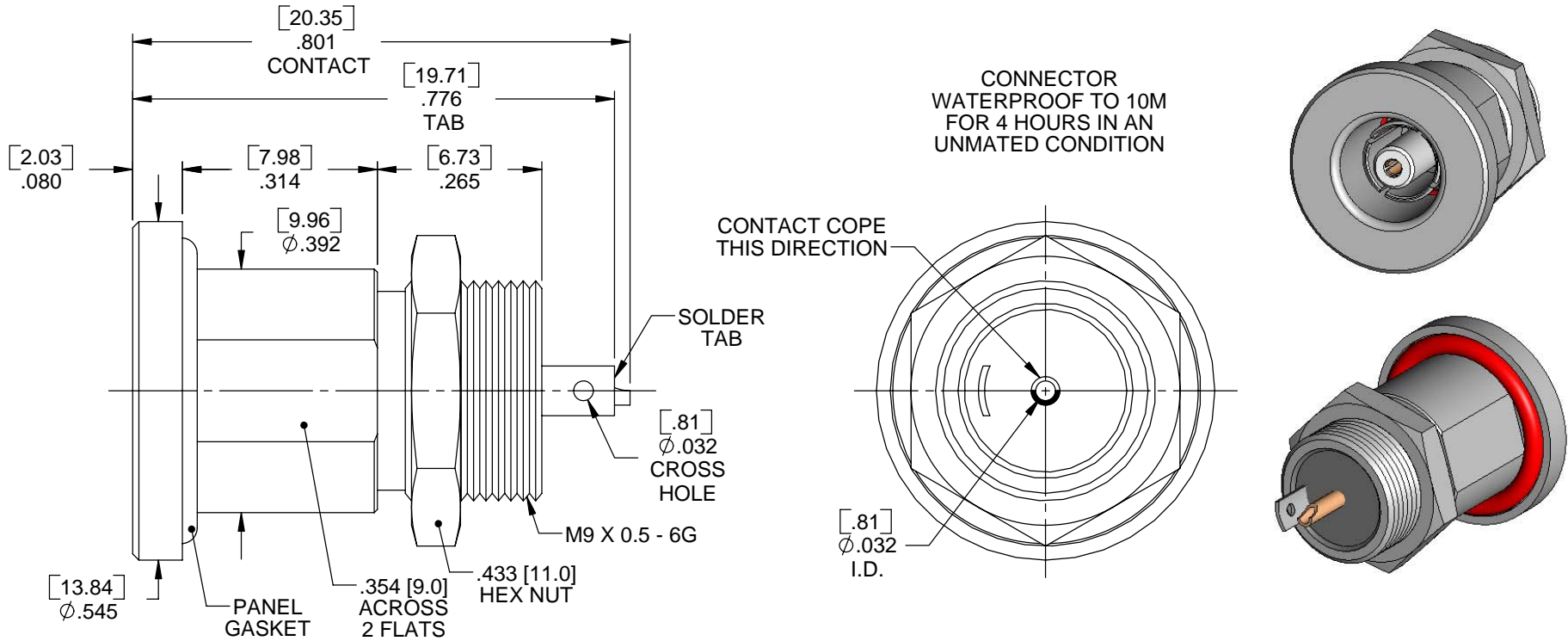
MATERIAL/FINISH PROPERTIES

MATERIAL PROPERTIES:
 BODY: BRASS PER ASTM B16 OR EQUIVALENT
 CONTACT: BERYLLIUM COPPER PER ASTM B196 OR EQUIVALENT
 INSULATOR: PTFE PER ASTM D1710 OR EQUIVALENT
 GASKETS: SILICONE RUBBER PER ZZ-R-765 CLASS II-B OR EQUIVALENT

PLATING PROPERTIES:
 BODY: .000100 MIN. NICKEL PER QQ-N-290
 CONTACTS: .000030 MIN. GOLD PER MIL-G-45204 OVER
 .000050 MIN. NICKEL PER QQ-N-290

MECHANICAL/ELECTRICAL PROPERTIES

CONNECTOR MEETS: RoHS 2002/95/EC STANDARDS
 CONNECTOR DURABILITY: 500 CYCLES MIN.
 MOUNTING: PER ES117-BK480
 PANEL THICKNESS: .354 [9.0] MIN. TO .500 [12.7] MAX.
 CABLE: N/A
 ASSEMBLY INSTRUCTIONS: N/A
 IMPEDANCE: 50 OHMS NOMINAL
 FREQUENCY RANGE: DC-4 GHz
 VOLTAGE RATING: 500 VRMS
 INSULATION RESISTANCE: 1,000 MEGOHMS



| D | ECN 1216 | TLB | 11/25/08 |
|-----|-------------|------|----------|
| C | ECN 1215 | TLB | 11/20/08 |
| B | ECN 1199 | TLB | 05/07/08 |
| A | NPR 512 | TLB | 04/07/08 |
| REV | DESCRIPTION | APPR | DATE |

IntelliConnect

UNLESS OTHERWISE SPECIFIED
 ALL DIMENSIONS ARE REFERENCE
 X.XXX DIM'S = INCHES * [X.XX] DIM'S = MILLIMETERS
 SURFACE FINISH: 63 MICRO MAX.
 ALL DIAMETERS TO BE CONCENTRIC WITHIN .005 F.I.M.

TITLE: 7.0mm SEALED STRAIGHT BULKHEAD MOUNT JACK

MATERIAL & FINISH: PER TABLE ABOVE

| | | | |
|----------------------------|---------------------------------------|------------------------|---------------|
| DRAWN BY: SRS | CHECK BY: PCS | APPR. BY: TLB | |
| DATE: 02/28/08 | DATE: 02/28/08 | DATE: 02/28/08 | |
| CAGE CODE NO: 5N5S5 | SCALE: 4:1 | SIZE: A | REV: D |
| SALES DRAWING | PART NO. 5176-J1BK-000-100N | SHEET 1 OF 1 | |