

**MATERIAL/FINISH PROPERTIES**

**MATERIAL PROPERTIES:**

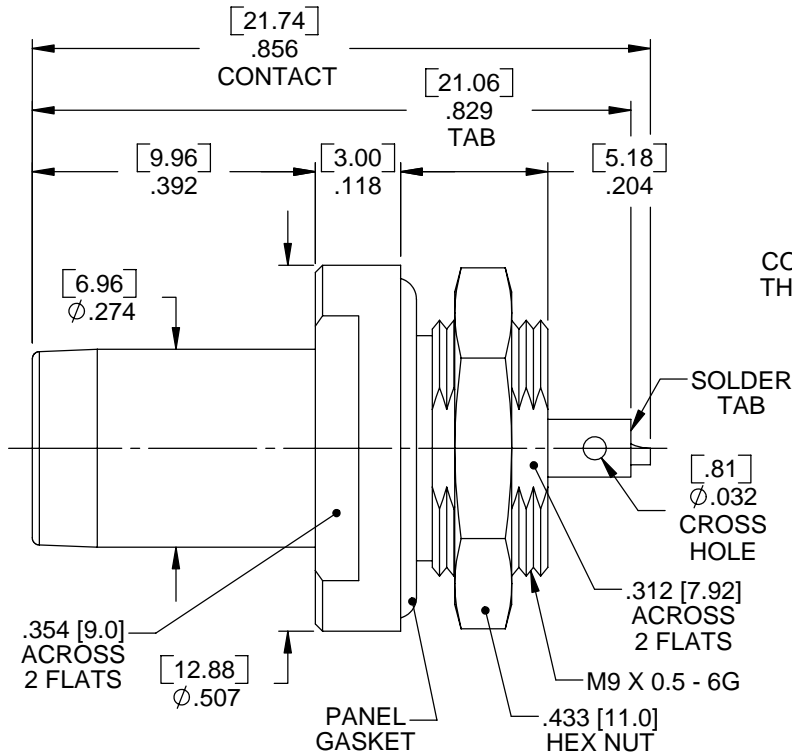
BODY: BRASS PER ASTM B16 OR EQUIVALENT  
 CONTACT: BERYLLIUM COPPER PER ASTM B196 OR EQUIVALENT  
 INSULATOR: PTFE PER ASTM D1710 OR EQUIVALENT  
 GASKETS: SILICONE RUBBER PER ZZ-R-765 CLASS II-B OR EQUIVALENT

**PLATING PROPERTIES:**

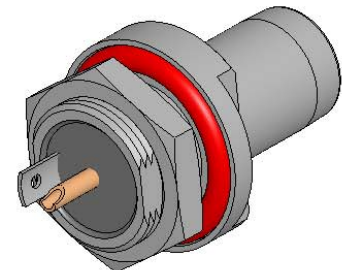
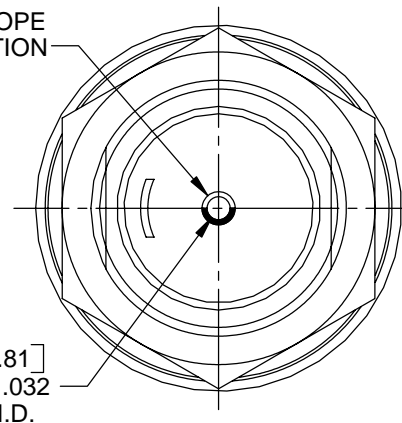
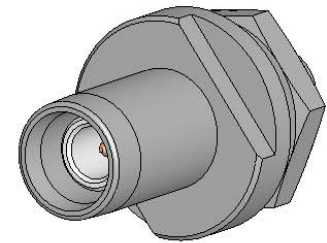
BODY: .000100 MIN. NICKEL PER QQ-N-290  
 CONTACTS: .000030 MIN. GOLD PER MIL-G-45204 OVER  
 .000050 MIN. NICKEL PER QQ-N-290

**MECHANICAL/ELECTRICAL PROPERTIES**

CONNECTOR MEETS: RoHS 2002/95/EC STANDARDS  
 CONNECTOR DURABILITY: 500 CYCLES MIN.  
 MOUNTING: PER ES117-BK460  
 PANEL THICKNESS: .125 [3.2] MAX.  
 CABLE: N/A  
 ASSEMBLY INSTRUCTIONS: N/A  
 IMPEDANCE: 50 OHMS NOMINAL  
 FREQUENCY RANGE: DC-4 GHz  
 VOLTAGE RATING: 500 VRMS  
 INSULATION RESISTANCE: 1,000 MEGOHMS



CONNECTOR  
 WATERPROOF TO 10M  
 FOR 4 HOURS IN AN  
 UNMATED CONDITION



**IntelliConnect**

**TITLE:** 7.0mm SEALED STRAIGHT BULKHEAD MOUNT PLUG

**MATERIAL & FINISH:** PER TABLE ABOVE

<b>DRAWN BY:</b> SRS	<b>CHECK BY:</b> PCS	<b>APPR. BY:</b> TLB
<b>DATE:</b> 02/28/08	<b>DATE:</b> 02/28/08	<b>DATE:</b> 02/28/08

<b>CAGE CODE NO:</b> 5N5S5	<b>SCALE:</b> 4:1	<b>SIZE:</b> A	<b>REV:</b> B
----------------------------	-------------------	----------------	---------------

<b>SALES DRAWING</b>	<b>PART NO.</b> 5176-P1BK-000-100N	<b>SHEET</b> 1 OF 1
----------------------	---------------------------------------	------------------------

**UNLESS OTHERWISE SPECIFIED**

ALL DIMENSIONS ARE REFERENCE  
 X.XXX DIM'S = INCHES \* [X.XX] DIM'S = MILLIMETERS  
 SURFACE FINISH: 63 MICRO MAX.  
 ALL DIAMETERS TO BE CONCENTRIC WITHIN .005 F.I.M.

B	ECN 1199	TLB	05/07/08
A	NPR 512	TLB	04/07/08
<b>REV</b>	<b>DESCRIPTION</b>	<b>APPR</b>	<b>DATE</b>