

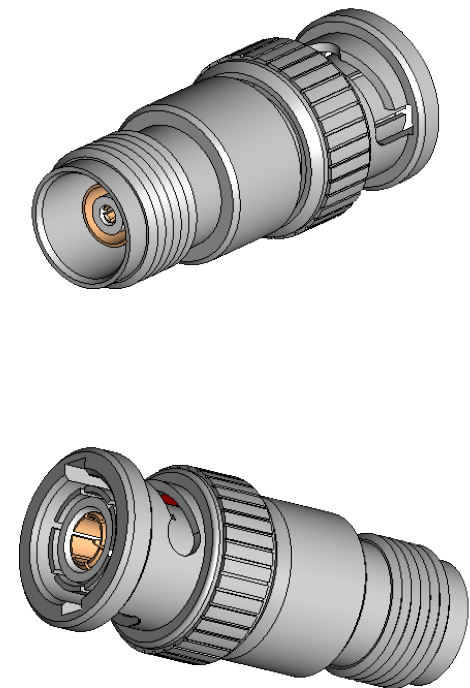
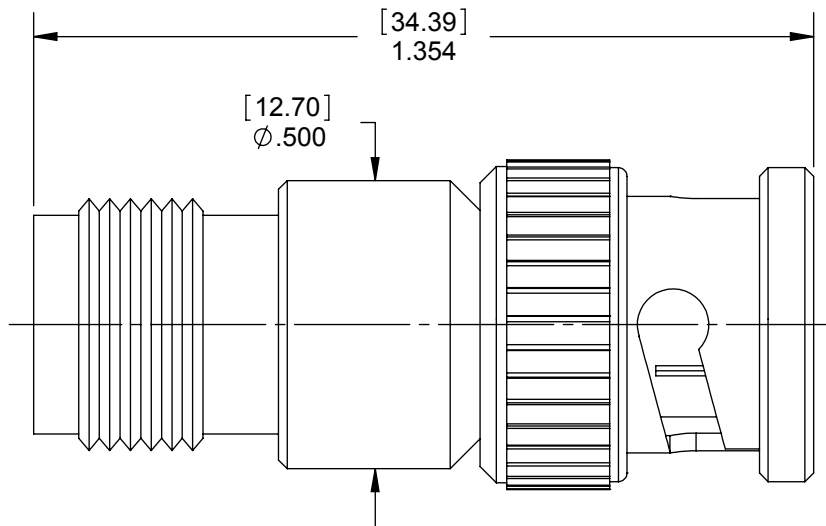
MATERIAL/FINISH PROPERTIES

MATERIAL PROPERTIES:
 BODY: BRASS PER ASTM B16 OR EQUIVALENT
 CENTER CONTACT: BERYLLIUM COPPER PER ASTM B196 OR EQUIVALENT
 INSULATORS: PTFE PER ASTM D1710 OR EQUIVALENT
 GASKET: SILICONE RUBBER PER ZZ-R-765 OR EQUIVALENT

PLATING PROPERTIES:
 METAL PARTS: .000100 MIN. NICKEL PER QQ-N-290
 CENTER CONTACT: .000030 MIN. GOLD PER MIL-G-45204 OVER
 .000050 MIN. NICKEL PER QQ-N-290

MECHANICAL/ELECTRICAL PROPERTIES

CONNECTOR MEETS: MIL-STD-348, MIL-PRF-49142
 CONNECTOR MEETS: RoHS 2011/65/EU STANDARDS
 CONNECTOR DURABILITY: 500 CYCLES MIN.
 IMPEDANCE: NON CONSTANT
 VOLTAGE RATING: 400 VRMS
 INSULATION RESISTANCE: 5,000 MEGOHMS
 CONTACT RESISTANCE:
 CENTER: 5.0 MILLOHMS MAX.
 INTERMEDIATE: 0.5 MILLOHMS MAX.
 OUTER: 0.5 MILLOHMS MAX.



D	ECN 1500	TLB	06/22/15
C	ECN 1211	TLB	10/07/08
B	ECN 1071	TLB	05/28/03
A	NPR 139	TLB	03/29/03
REV	DESCRIPTION	APPR	DATE

IntelliConnect

UNLESS OTHERWISE SPECIFIED
 ALL DIMENSIONS ARE REFERENCE
 X.XXX DIM'S = INCHES * [X.XX] DIM'S = MILLIMETERS
 SURFACE FINISH: 63 MICRO MAX.
 ALL DIAMETERS TO BE CONCENTRIC WITHIN .005 F.I.M.

TITLE: TRB PLUG TO TRT JACK STRAIGHT ADAPTER

MATERIAL & FINISH: PER TABLE ABOVE

DRAWN BY: SRS	CHECK BY: PCS	APPR. BY: TLB
DATE: 03/29/03	DATE: 03/29/03	DATE: 03/29/03

CAGE CODE NO: 5N5S5	SCALE: 2.5:1	SIZE: A	REV: D
----------------------------	---------------------	----------------	---------------

SALES DRAWING	PART NO. A0756-1NN-100N	SHEET 1 OF 1
----------------------	-----------------------------------	------------------------