

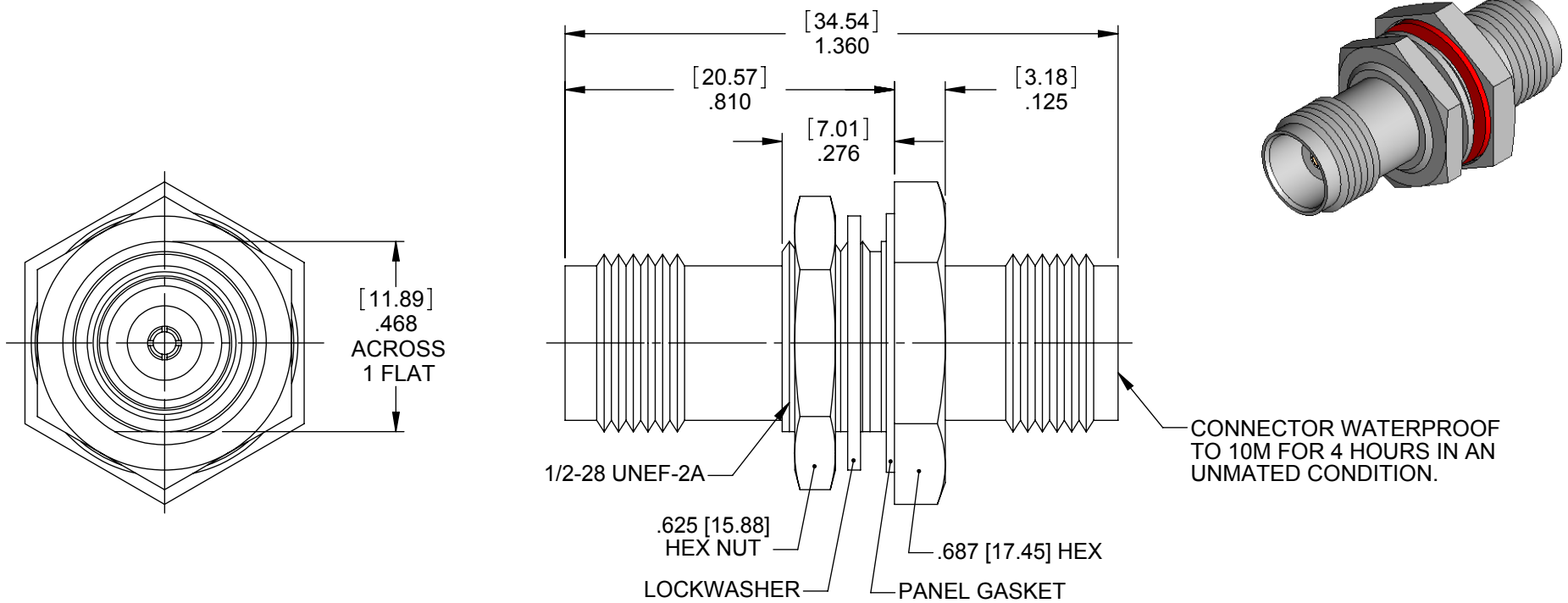
MATERIAL/FINISH PROPERTIES

MATERIAL PROPERTIES:
 BODY: BRASS PER ASTM B16 OR EQUIVALENT
 CONTACT: BERYLLIUM COPPER PER ASTM B196 OR EQUIVALENT
 INSULATORS: PTFE PER ASTM D1710 OR EQUIVALENT
 GASKETS: SILICONE RUBBER PER AA59588 OR EQUIVALENT

PLATING PROPERTIES:
 BODY: .000100 MIN. NICKEL PER QQ-N-290
 CONTACT: .000030 MIN. GOLD PER MIL-G-45204 OVER
 .000050 MIN. NICKEL PER QQ-N-290

MECHANICAL/ELECTRICAL PROPERTIES

CONNECTOR MEETS: MIL-STD-348 FIG. 313-2, MIL-PRF-39012
 CONNECTOR MEETS: RoHS 2002/95/EC STANDARDS
 CONNECTOR DURABILITY: 500 CYCLES MIN.
 MOUNTING: PER ES117-BK350
 PANEL THICKNESS: .125 [3.2] MAX.
 IMPEDANCE: 50 OHMS NOMINAL
 FREQUENCY RANGE: DC-11 GHZ
 VOLTAGE RATING: 500 VRMS
 INSULATION RESISTANCE: 5,000 MEGOHMS
 DIELECTRIC WITHSTANDING VOLTAGE: 1,500 VRMS



1	NPR1309E	REP	09/29/10
REV	DESCRIPTION	APPR	DATE



UNLESS OTHERWISE SPECIFIED
 ALL DIMENSIONS ARE REFERENCE
 X.XXX DIM'S = INCHES * [X.XX] DIM'S = MILLIMETERS
 SURFACE FINISH: 63 MICRO MAX.
 ALL DIAMETERS TO BE CONCENTRIC WITHIN .005 F.I.M.

TITLE: TNC JACK TO TNC JACK STRAIGHT BULKHEAD MOUNT ADAPTER

MATERIAL & FINISH: PER TABLE ABOVE

DRAWN BY: NB	CHECK BY: MS	APPR. BY: REP
DATE: 09/29/16	DATE: 09/29/16	DATE: 09/29/16

CAGE CODE NO: 5N5S5	SCALE: 2.5:1	SIZE: A	REV: 1
----------------------------	---------------------	----------------	---------------

SALES DRAWING	PART NO. A5740-1BK-102N	SHEET 1 OF 1
----------------------	-----------------------------------	------------------------