

Antennas and Antenna Kits

- GPS
- Yagi
- Horn
- Mag Mount
- Wideband
- Log Periodic
- Whip
- Loop



Table of Contents

Omnidirectional Antennas 3
 Portable Antennas 3
 GPS Antennas 6
 Magnet Mount Broadband Antennas 7
 Wideband Antennas 8
Directional Antennas 9
 Yagi Antennas 10
 Loop Antennas 14
 Log Periodic Antennas 15
 Horn Antennas 18

Definitions

All antenna accessories have a warranty period of 90 days, unless otherwise stated.
All coaxial antenna connectors have a nominal 50 Ω impedance.
All specifications subject to change without notice. For the most current data sheet, please visit the Anritsu web site: www.anritsu.com

Omnidirectional Antennas

Portable Antennas Anritsu portable antennas are designed for rugged field use, featuring ABS plastic, polyurethane, or rubberized bodies with nickel plated brass or all brass connectors. All specifications typical.

Frequency Range (MHz)	Input Power (Watts)	Gain (dBi)	VSWR (max)	Antenna Length (cm)	Connector Type	Antenna Model Number
698 to 960 1710 to 2170 2500 to 2700	3	0 to 2.0	2.5:1	22.8	SMA(m)	2000-1751-R
806 to 5900	Includes: 2000-1030-R, 2000-1031-R, 2000-1032-R, 2000-1035-R, 2000-1200-R, 2000-1361-R, and carrying pouch					2000-1636-R
806 to 866	50	2.1	1.5:1	8.4	SMA(m)	2000-1200-R
870 to 960	10	2.3	2.0:1	20.1 to 22.8	SMA(m)	2000-1473-R
896 to 941	NA (receive only)	4.6	1.5:1	20.3	SMA(m)	2000-1035-R
1710 to 1880	NA (receive only)	2.0	2.0:1	10.4	SMA(m)	2000-1030-R
1710 to 1880	10	2.3	2.0:1	16.5 to 19.7	SMA(m)	2000-1474-R
1850 to 1990	NA (receive only)	2.0	2.0:1	10.4	SMA(m)	2000-1031-R
1920 to 1980 2110 to 2170	5	0	3.0:1	4.5	SMA(m)	2000-1475-R
2400 to 2483.5	50	2.0	1.5:1	11.4	SMA(m)	2000-1032-R
2400 to 2500 5000 to 5900	5	3.0	2.0:1	7.6 to 10.2	SMA(m)	2000-1361-R
VHF through UHF	NA (receive only)	variable	variable	10.2 to 48.2	BNC(m)	2000-1487-R

Specifications

Omnidirectional Antennas

2000-1030-R	Half wave whip antenna.
Frequency Range (MHz)	1710 to 1880
Input Power (Watts)	NA (receive only)
Gain (dBi)	2.0
VSWR (max)	2.0:1
Antenna Length (cm)	10.4
Connector Type	SMA(m)



2000-1031-R	Half wave whip antenna.
Frequency Range	1850 MHz to 1990 MHz
Input Power	NA (receive only)
Gain	2.0 dBi
VSWR	2.0:1 max
Antenna Length	10.4 cm
Connector Type	SMA(m)



2000-1032-R	Half wave whip antenna, with knuckle elbow.
Frequency Range	2400 MHz to 2483.5 MHz
Input Power	50 Watts
Gain	2.0 dBi
VSWR	1.5:1 max
Antenna Length	11.4 cm
Connector Type	SMA(m)



2000-1035-R	5/8 wave whip antenna.
Frequency Range	896 MHz to 941 MHz
Input Power	NA (receive only)
Gain	4.6 dBi
VSWR	1.5:1 max
Antenna Length	20.3 cm
Connector Type	SMA(m)



2000-1200-R	Quarter wave whip antenna.
Frequency Range	806 MHz to 866 MHz
Input Power	50 Watts
Gain	2.1 dBi
VSWR	1.5:1 max
Antenna Length	8.4 cm
Connector Type	SMA(m)



2000-1361-R	Half wave thin-blade style antenna, with knuckle elbow.
Frequency Range	2400 MHz to 2500 MHz 5000 MHz to 5900 MHz
Input Power	5 Watts
Gain	3.0 dBi
VSWR	2.0:1 max
Antenna Length	17.2 cm to 19.7 cm
Connector Type	SMA(m)



2000-1473-R	Half wave, 90 degree adjustable whip antenna, with knuckle elbow.
Frequency Range	810 MHz to 960 MHz
Input Power	10 Watts
Gain	2.3 dBi
VSWR	2.0:1 max
Antenna Length	20.1 cm to 22.8 cm
Connector Type	SMA(m)



2000-1474-R Half wave, 90 degree adjustable whip antenna, with knuckle elbow.

Frequency Range	1710 MHz to 1880 MHz
Input Power	10 Watts
Gain	2.3 dBi
VSWR	2.0:1 max
Antenna Length	16.5 cm to 19.7 cm
Connector Type	SMA(m)



2000-1475-R Quarter wave helical antenna.

Frequency Range	1920 MHz to 1980 MHz 2110 MHz to 2170 MHz
Input Power	5 Watts
Gain	0 dBi
VSWR	3.0:1 max
Antenna Length	4.5 cm
Connector Type	SMA(m)



2000-1487-R Telescoping whip antenna, with knuckle elbow.

Frequency Range	VHF through UHF
Input Power	NA (receive only)
Gain	NA
VSWR	variable
Antenna Length	10.2 cm to 48.2 cm
Connector Type	BNC(m)



2000-1751-R 4G thin-blade style antenna, with knuckle elbow.

Frequency Range	698 MHz to 960 MHz 1710 MHz to 2170 MHz 2500 MHz to 2700 MHz
Input Power	3 Watts
Gain	0 to 2.0 dBi
VSWR	2.5:1 max
Antenna Length	22.8 cm
Connector Type	SMA(m)



2000-1636-R Portable antenna kit.

Includes: 2000-1030-R, 2000-1031-R, 2000-1032-R, 2000-1035-R, 2000-1200-R, 2000-1361-R, and carrying pouch



Specifications

Omnidirectional Antennas

GPS Antennas Magnet and connector mount active GPS antennas for increased performance.

Frequency Range (MHz)	Input Power (Watts)	Gain (dBi)	VSWR (max)	Cable Length (m)	Connector Type	Antenna Model Number
1575 (GPS)	NA (receive only)	3.0 (Antenna) 28 (LNA)	2.0:1	5	SMA(m)	2000-1528-R
1575 (GPS)	NA (receive only)	26	2.0:1	0.3	SMA(m)	2000-1652-R
1575 (GPS)	NA (receive only)	25	2.0:1	NA	SMA(m)	2000-1760-R

2000-1528-R Magnet mount active GPS antenna, requires 5 VDC.

Frequency Range	1575 MHz (GPS)
Input Power	NA (receive only)
Gain	27 dBi
VSWR	2.0:1
Cable Length	5 m
Connector Type	SMA(m)



2000-1652-R Magnet mount active GPS antenna, requires 3.3 VDC or 5 VDC.

Frequency Range	1575 MHz (GPS)
Input Power	NA (receive only)
Gain	26 dBi
VSWR	2.0:1
Cable Length	0.3 m
Connector Type	SMA(m)



2000-1760-R Active GPS antenna, requires 2.5 VDC or 3.7 VDC.

Frequency Range	1575 MHz (GPS)
Input Power	NA (receive only)
Gain	25 dBi
VSWR	2.0:1
Antenna Length	2.6 cm
Antenna Diameter	2.1 cm
Connector Type	SMA(m)



Magnet Mount Broadband Antennas

Frequency Range (MHz)	Input Power (Watts)	Gain (dBi)	VSWR (max)	Cable Length (m)	Connector Type	Antenna Model Number
694 to 894 1700 to 2700	10	3.0	2.0:1	3	SMA(m)	2000-1645-R
750 to 1250 1650 to 2700	10	3.0 5.0	2.0:1	3	SMA(m)	2000-1646-R
698 to 2700 3000 to 6000 1575 (GPS)	NA (receive only)	2.0 to 5.0 +26 dB (GPS preamp)	3.5:1	3	N(m) (x2) SMA(m)	2000-1647-R
617 to 960 and 1710 to 3700 3000 to 6000 1575 (GPS)	NA (receive only)	2.0 to 5.0 +26 dB (GPS preamp)	3.5:1	3	N(m) (x2) SMA(m)	2000-1946-R
1700 to 6000	10	3.0	2.0:1	3	N(m)	2000-1648-R

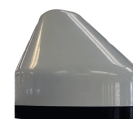
2000-1645-R Magnet mount multiband broadband antenna.
 Frequency Range 694 MHz to 894 MHz
 1700 MHz to 2700 MHz
 Input Power 10 W
 Gain 3.0 dBi
 VSWR 2.0:1
 Size 6.7 cm x 9.2 cm
 Cable Length 3 m
 Connector Type SMA(m)



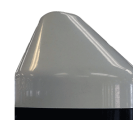
2000-1646-R Magnet mount multiband broadband antenna.
 Frequency Range 750 MHz to 1250 MHz
 1650 MHz to 2700 MHz
 Input Power 10 W
 Gain 3.0 dBi (band 1), 5.0 dBi (band 2)
 VSWR 2.0:1 (max)
 Size 4.3 cm x 9.2cm
 Cable Length 3 m
 Connector Type SMA(m)



2000-1647-R Magnet mount broadband integrated GPS antenna, requires 3 V to 5 V for GPS.
 Frequency Range 698 MHz to 2700 MHz
 3000 MHz to 6000 MHz
 1575 (GPS)
 Input Power NA (receive only)
 Gain 2.0 dBi (750 to 1200 MHz)
 5.0 dBi (1700 to 2700 MHz)
 5.0 dBi (3000 to 6000 MHz)
 5.0 dBi (GPS antenna), 26.0 dB (GPS preamp)
 VSWR 3.5:1
 Cable Length 3 m
 Connector Type N(m) (x2), SMA(m) (GPS)



2000-1946-R Magnet mount broadband integrated GPS antenna, requires 3 V to 5 V for GPS.
 Frequency Range 617 MHz to 960 MHz and 1710 MHz to 3700MHz (Global LTE)
 3000 MHz to 6000 MHz
 1575 (GPS)
 Input Power NA (receive only)
 Gain 3.0 dBi (617 to 960 MHz)
 4.0 dBi (1710 to 3700 MHz)
 5.0 dBi (3000 to 6000 MHz)
 5.0 dBi (GPS antenna), 26.0 dB (GPS preamp)
 VSWR 3.5:1
 Cable Length 3 m
 Connector Type N(m) (x2), SMA(m) (GPS)



2000-1648-R Magnet mount multiband broadband antenna.

Frequency Range	1700 MHz to 6000 MHz
Input Power	10 W
Gain	3.0 dBi
VSWR	2.0:1 (max)
Size	6.7 cm x 9.2 cm
Cable Length	3 m
Connector Type	N(m)



Wideband Antennas

Frequency Range (MHz)	Input Power (Watts)	Gain (dBi)	VSWR (average)	Cable Length (m)	Connector Type	Antenna Model Number
20 to 21000	10	-17.0 to 7.0	<2.0:1	NA	N(f)	2000-2141-R

2000-2141-R Ultrawide broadband antenna.

Frequency Range (MHz)	20 MHz to 21 GHz
Input Power	10 Watts
Gain	1 to 7 dBi > 230 MHz -17 to 1 dBi < 230 MHz
VSWR	2.0:1 average
Length	46.99 cm
Width	11.43 cm
Weight	1.08 kg
Connector Type	N(f)



Directional Antennas Anritsu offers a complete line of high-performance directional antennas. The Yagi antennas operating below 1 GHz are constructed from welded, solid aluminum elements. The Yagi antennas operating above 1 GHz are constructed from solid brass soldered elements. The design and construction help prevent intermodulation and yield very sturdy antennas that are well-suited for use in tracking interfering signals.

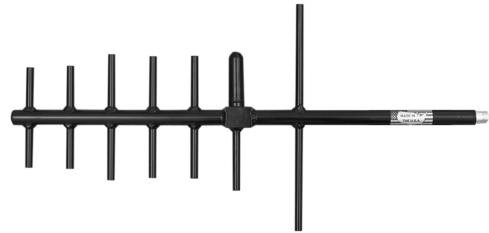
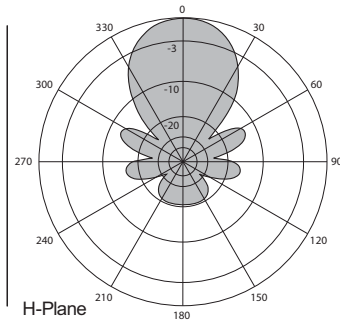
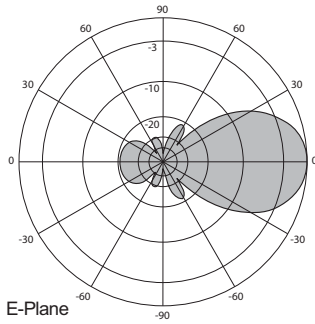
Frequency Range (MHz)	Gain (dBi)	VSWR (max)	Length (cm)	Width (cm)	Weight (kg)	Number of Elements	Antenna Type	Anritsu Part Number
0.009 to 20	-160 to -42	-	39.8	29.0	0.46	NA	Loop	2000-1777-R
20 to 200	-40 to -3	2.5:1	39.5	32.0	0.58	NA	Loop	2000-1778-R
200 to 500	-13 to -4	2.5:1	24.5	16	0.36	NA	Loop	2000-1779-R
380 to 430	7.1	1.5:1	52.8	34.9	0.68	3	Yagi	2000-1825-R
450 to 512	7.1	1.5:1	43	33	0.5	3	Yagi	2000-1812-R
698 to 787	10.1	1.5:1	70	20	1.4	6	Yagi	2000-1659-R
824 to 896	12.3	1.5:1	58.4	27.9	1.4	7	Yagi	2000-1411-R
885 to 975	12.6	1.5:1	72.4	19.1	1.4	7	Yagi	2000-1412-R
1425 to 1535	14.3	1.4:1	66	13	1	12	Yagi	2000-1660-R
1710 to 1880	12.3	1.5:1	48.3	7.6	2.3	8	Yagi	2000-1413-R
1850 to 1990	11.4	1:3:1	29.8	8.9	0.45	6	Yagi	2000-1414-R
1920 to 2170	14.3	1.5:1	61	9.5	0.53	12	Yagi	2000-1416-R
2400 to 2500	14.1	1.5:1	45.1	8.9	0.57	10	Yagi	2000-1415-R
2500 to 2700	14.1	1.5:1	43	7.6	0.5	12	Yagi	2000-1726-R
300 to 7000	5.1 ^a	1.8:1	69	55	0.8	17	Log Periodic	2000-1747-R
1000 to 18000	6.0 ^a	2:1	50	24	0.9	NA	Log Periodic	2000-1748-R
20 to 8.5 GHz	See Plots	3.5:1	50	32	<1.8	NA	Log Periodic	2000-2107-R

Notes

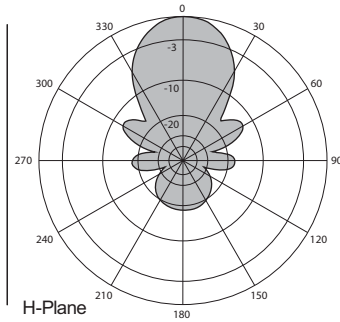
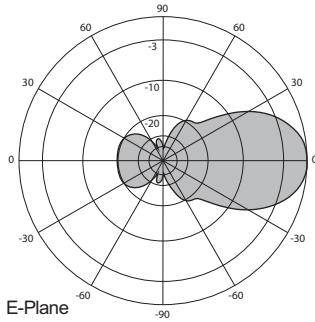
For vertical polarization, the H-plane is the Azimuth (horizontal angle) and the E-plane is the Elevation (vertical angle). The E- and H-planes are swapped for horizontal polarization, so the H-plane is Elevation and the E-plane is Azimuth.

Yagi Antennas

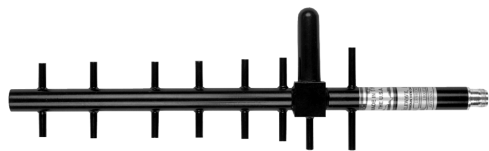
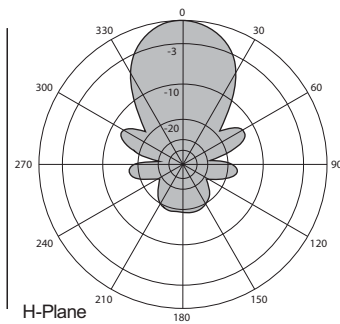
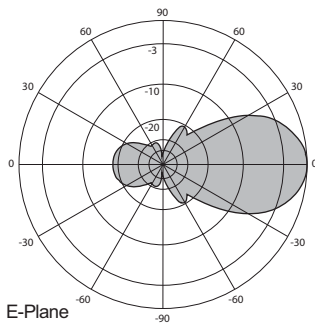
2000-1411-R Frequency Range (MHz)	Gain (dBi)	VSWR (max)	Length (cm)	Width (cm)	Weight (kg)	Number of Elements	Connector Type
824 to 896	12.3	1.5:1	58.4	27.9	1.4	7	N(f)



2000-1412-R Frequency Range (MHz)	Gain (dBi)	VSWR (max)	Length (cm)	Width (cm)	Weight (kg)	Number of Elements	Connector Type
885 to 975	12.6	1.5:1	72.4	19.1	1.4	7	N(f)

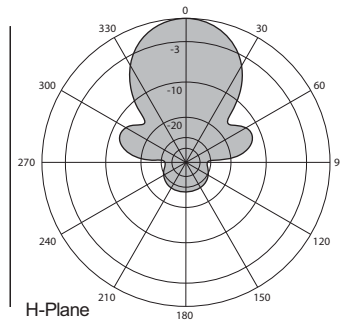
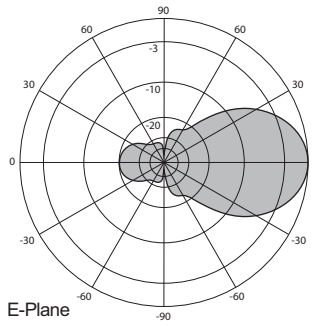


2000-1413-R Frequency Range (MHz)	Gain (dBi)	VSWR (max)	Length (cm)	Width (cm)	Weight (kg)	Number of Elements	Connector Type
1710 to 1880	12.3	1.5:1	48.3	7.6	2.3	8	N(f)



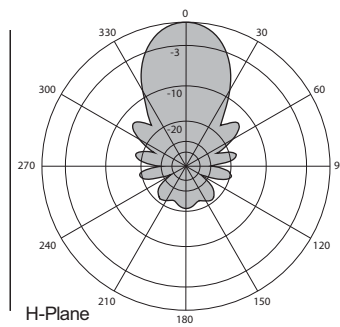
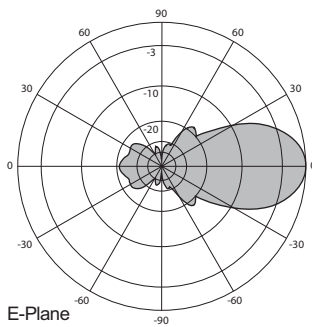
2000-1414-R

Frequency Range (MHz)	Gain (dBi)	VSWR (max)	Length (cm)	Width (cm)	Weight (kg)	Number of Elements	Connector Type
1850 to 1990	11.4	1:3:1	29.8	8.9	0.45	6	N(f)



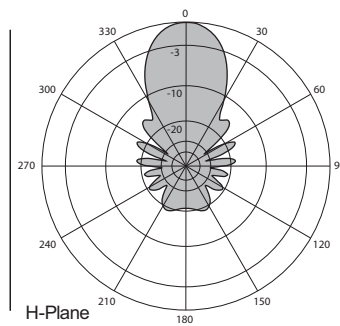
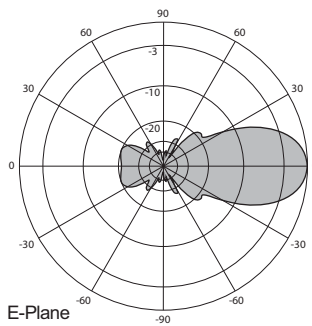
2000-1415-R

Frequency Range (MHz)	Gain (dBi)	VSWR (max)	Length (cm)	Width (cm)	Weight (kg)	Number of Elements	Connector Type
2400 to 2500	14.1	1.5:1	45.1	8.9	0.57	10	N(f)



2000-1416-R

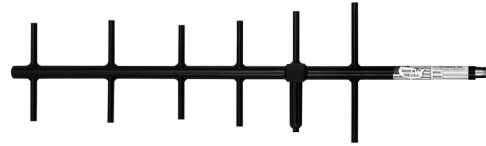
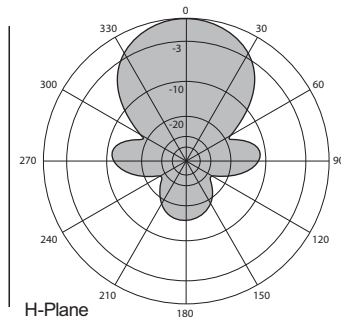
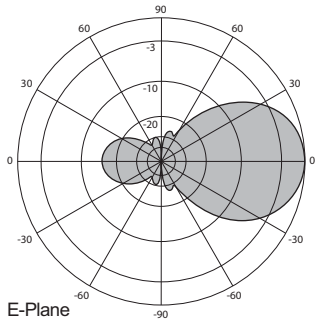
Frequency Range (MHz)	Gain (dBi)	VSWR (max)	Length (cm)	Width (cm)	Weight (kg)	Number of Elements	Connector Type
1920 to 2170	14.3	1.5:1	61	9.5	0.53	12	N(f)



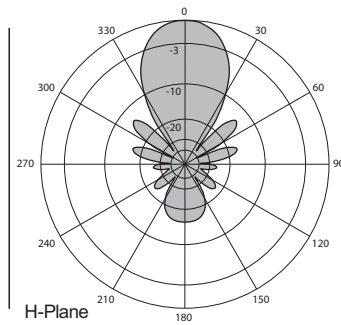
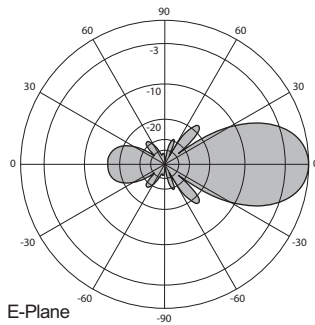
Specifications

Directional Antennas

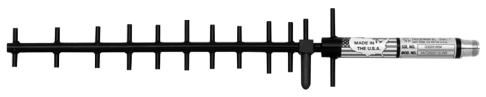
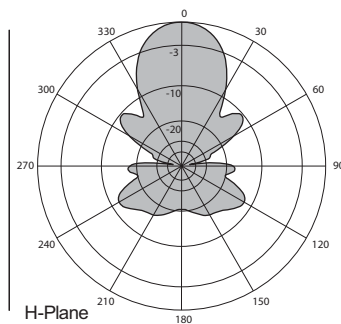
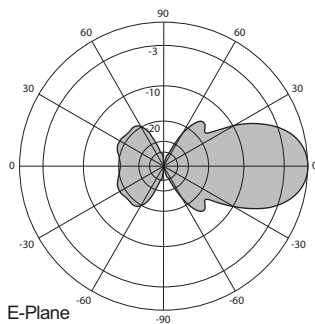
2000-1659-R Frequency Range (MHz)	Gain (dBi)	VSWR (max)	Length (cm)	Width (cm)	Weight (kg)	Number of Elements	Connector Type
698 to 787	10.1	1.5:1	70	20	1.4	6	N(f)



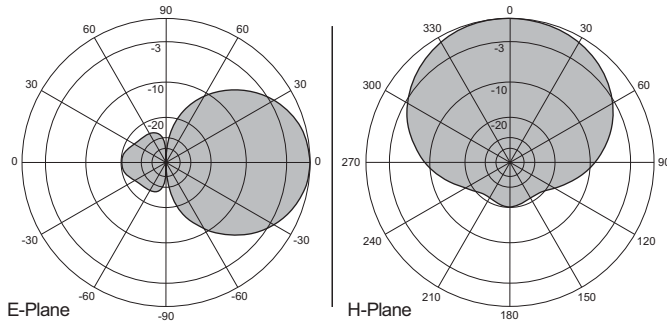
2000-1660-R Frequency Range (MHz)	Gain (dBi)	VSWR (max)	Length (cm)	Width (cm)	Weight (kg)	Number of Elements	Connector Type
1425 to 1535	14.3	1.4:1	66	13	1	12	N(f)



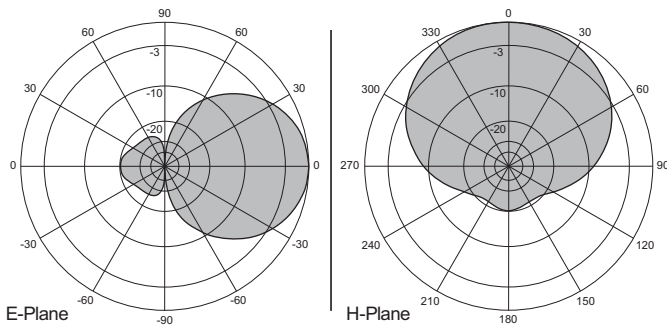
2000-1726-R Frequency Range (MHz)	Gain (dBi)	VSWR (max)	Length (cm)	Width (cm)	Weight (kg)	Number of Elements	Connector Type
2500 to 2700	14.1	1.5:1	43	7.6	0.5	12	N(f)



2000-1812-R Frequency Range (MHz)	Gain (dBi)	VSWR (max)	Length (cm)	Width (cm)	Weight (kg)	Number of Elements	Connector Type
450 to 512	7.1	1.5:1	43.2	33	0.5	3	N(f)

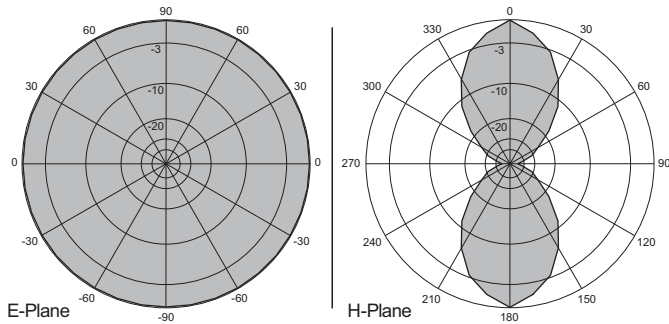


2000-1825-R Frequency Range (MHz)	Gain (dBi)	VSWR (max)	Length (cm)	Width (cm)	Weight (kg)	Number of Elements	Connector Type
380 to 430	7.1	1.5:1	52.8	34.9	0.68	3	N(f)

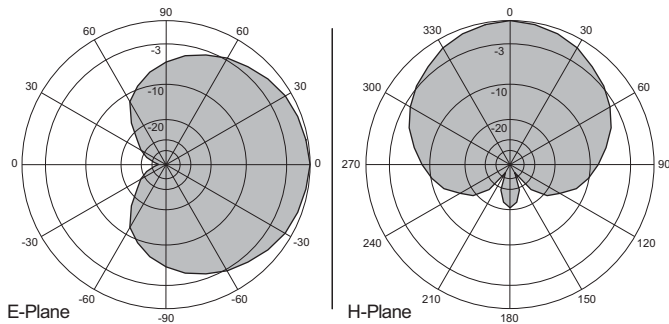


Loop Antennas

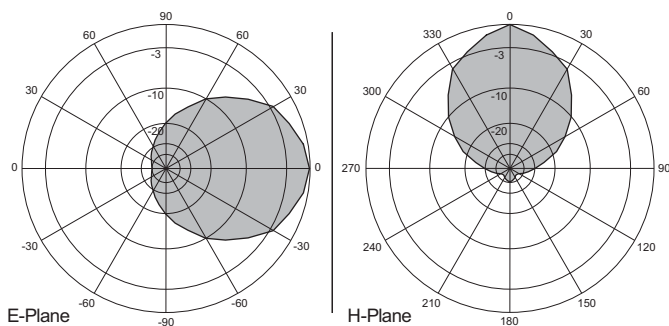
2000-1777-R Frequency Range (MHz)	Gain (dBi)	VSWR (max)	Length (cm)	Width (cm)	Weight (kg)	Number of Elements	Connector Type
0.009 to 20	-160 to -42	-	39.8	29.0	0.46	NA	N(f)



2000-1778-R Frequency Range (MHz)	Gain (dBi)	VSWR (max)	Length (cm)	Width (cm)	Weight (kg)	Number of Elements	Connector Type
20 to 200	-40 to -3	2.5:1	39.5	32.0	0.58	NA	N(f)



2000-1779-R Frequency Range (MHz)	Gain (dBi)	VSWR (max)	Length (cm)	Width (cm)	Weight (kg)	Number of Elements	Connector Type
200 to 500	-13 to -4	2.5:1	24.5	16	0.36	NA	N(f)

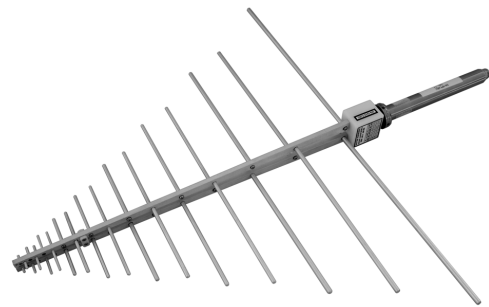
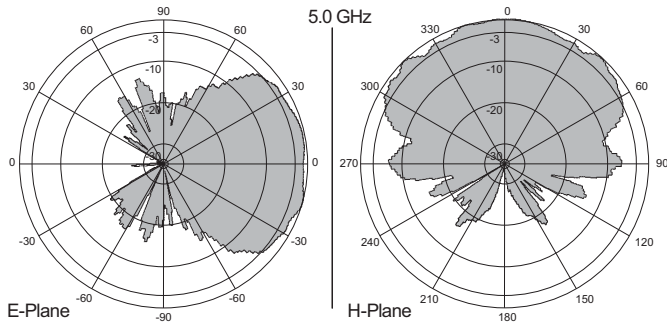
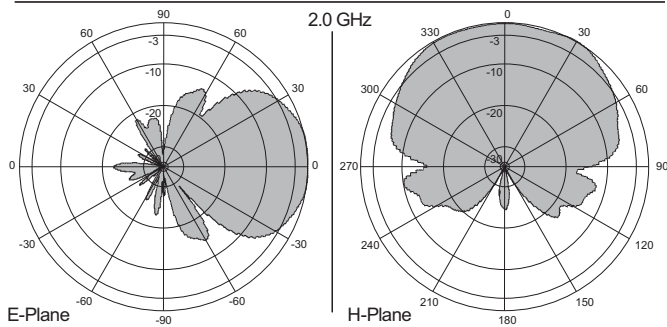
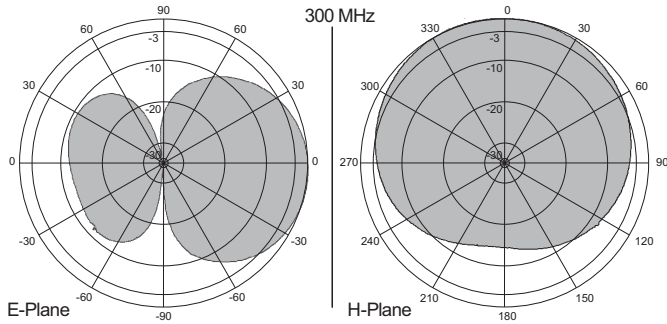


Log Periodic Antennas

2000-1747-R

Frequency Range (MHz)	Gain (dBi)	VSWR (max)	Length (cm)	Width (cm)	Weight (kg)	Number of Elements	Connector Type
300 to 7000	5.1 ^a	1.8:1	69	55	0.8	17	N(f)

a. Typical.

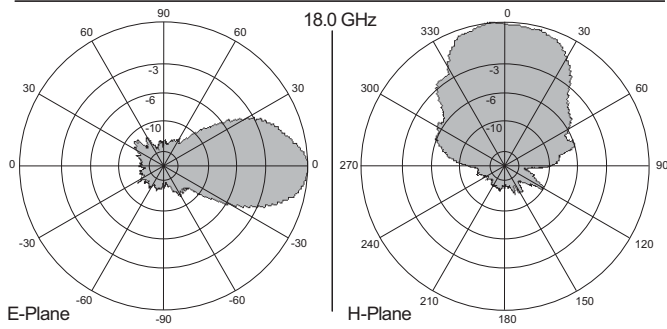
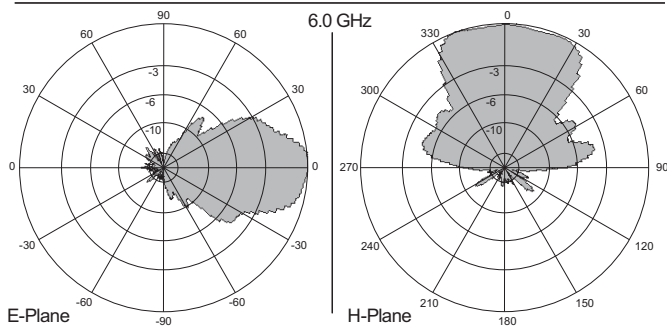
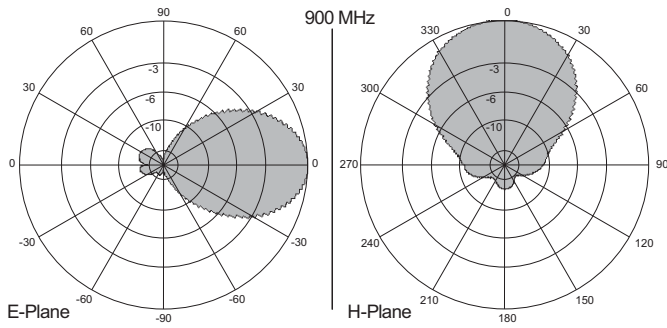


Specifications

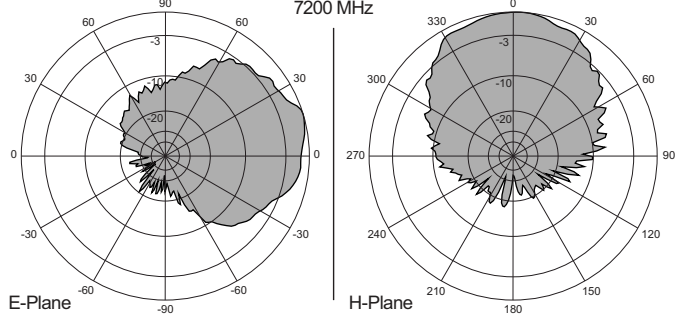
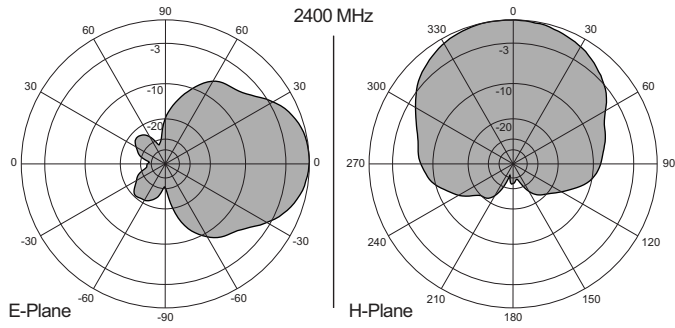
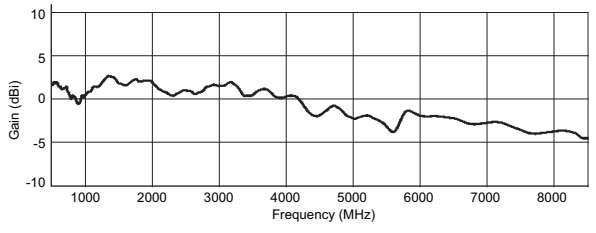
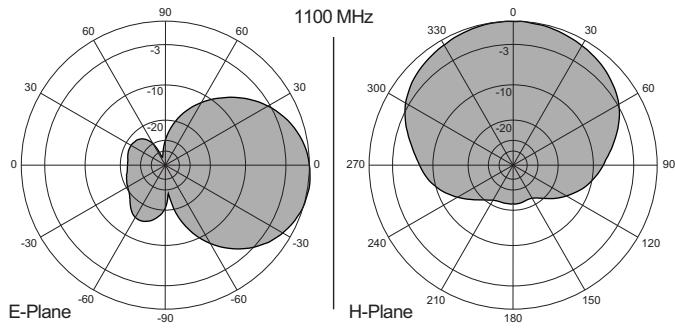
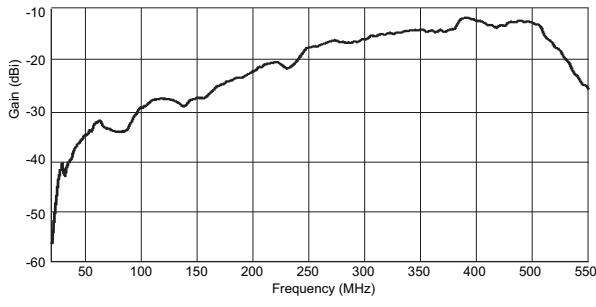
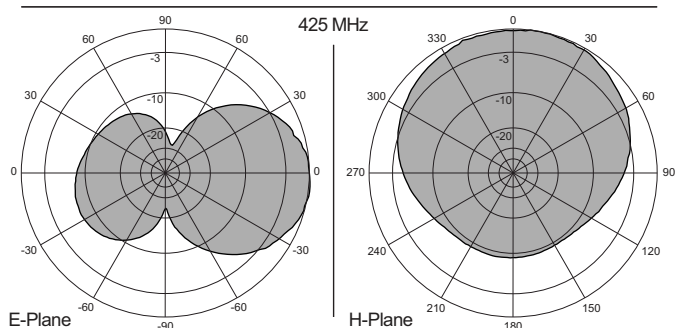
Directional Antennas

2000-1748-R	Gain (dBi)	VSWR (max)	Length (cm)	Width (cm)	Weight (kg)	Number of Elements	Connector Type
Frequency Range (MHz)	6.0 ^a	2:1	50	24	0.9	NA	N(f)

a. Typical



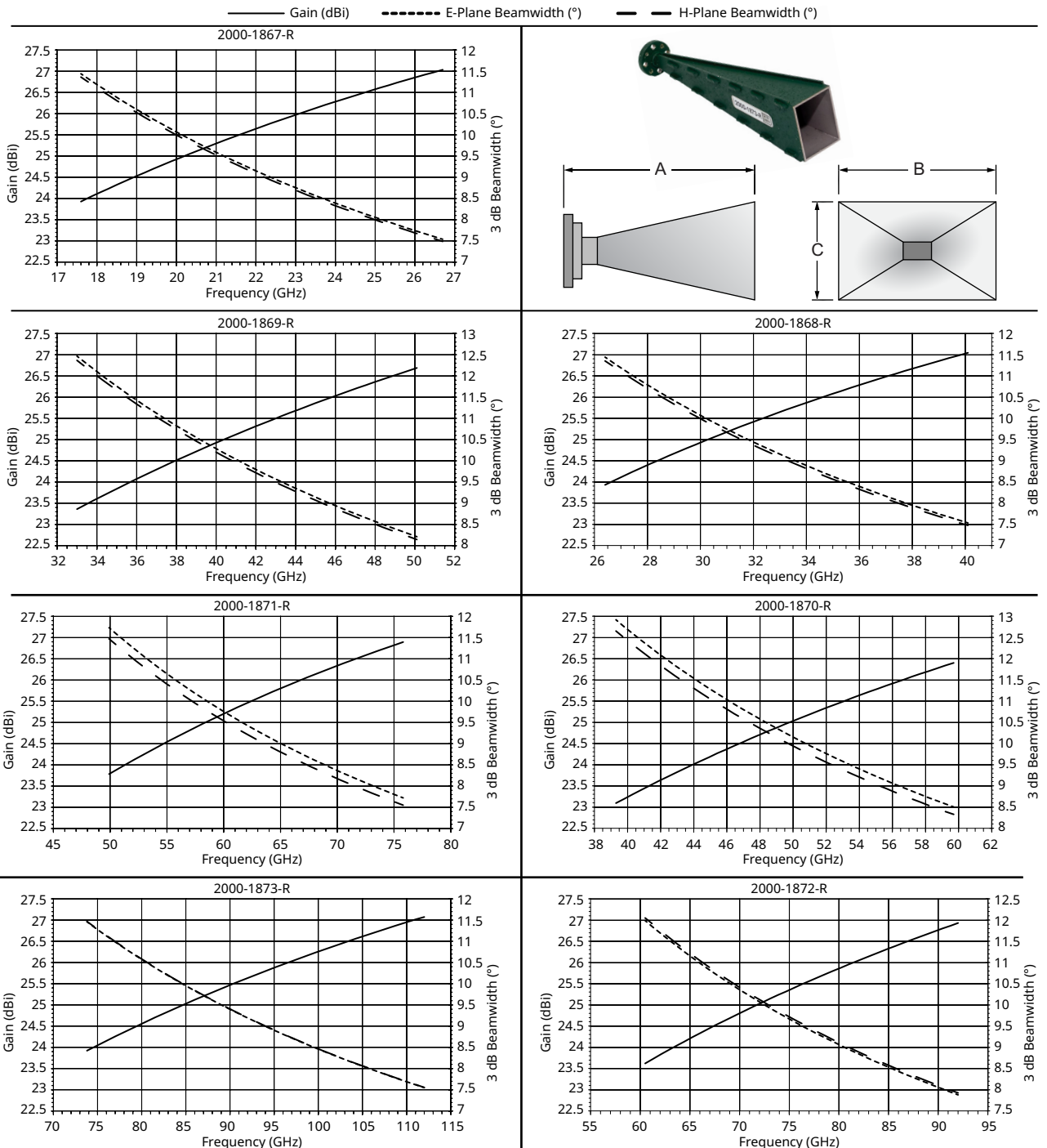
2000-2107-R Frequency Range	Gain (dBi)	VSWR (typical)	Length (cm)	Width (cm)	Height (cm)	Weight (kg)	Connector Type
20 MHz to 8.5 GHz	See Plots	3.5:1	50	32	6	< 1.8	N(f)



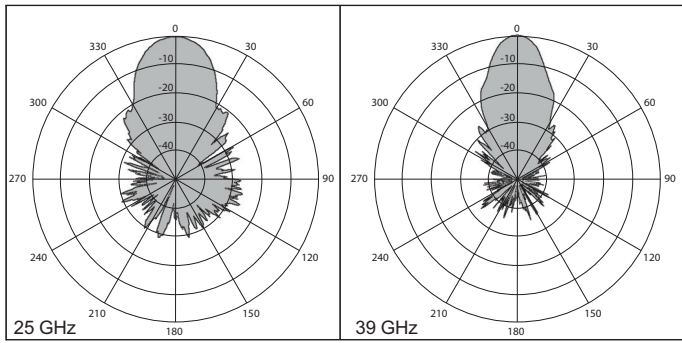
Horn Antennas Directional horn antennas are RoHS compliant and feature a standard one year warranty .

Frequency Range (GHz)	Gain (dBi)	VSWR (max)	Flange	Dimensions A x B x C (mm)	Designator	Anritsu Part Number
17.6 to 26.7	25	1.2:1	UG-595/U	393.6 x 102.06 x 75.60	WG20 WR42 R220	2000-1867-R
24 to 40	17 to 19	1.5:1 ^a	UG-599/U	110 x 80 x 40	WG22 WR28 R320	2000-2003-R
26.4 to 40.1	25	1.2:1	UG-599/U	263.00 x 68.10 x 50.40	WG22 WR28 R320	2000-1868-R
33 to 50.1	25	1.2:1	UG-383/U	235.00 x 50.00 x 37.00	WG23 WR22 R400	2000-1869-R
39.3 to 59.7	25	1.2:1	UG-383/U-Mod	181.00 x 41.06 x 30.00	WG24 WR19 R500	2000-1870-R
49.9 to 75.8	25	1.2:1	UG-385/U	140.10 x 35.66 x 26.00	WG25 WR15 R620	2000-1871-R
60.5 to 92.0	25	1.2:1	UG-387/U	134.00 x 28.00 x 21.00	WG26 WR12 R740	2000-1872-R
73.8 to 112.0	25	1.2:1	UG-387/U-Mod	104.50 x 24.11 x 18.00	WG27 WR10 R900	2000-1873-R

a. Typical



2000-2003-R



Typical Patterns



Includes a mounting bracket, K(f) to WR28 adapter, and carrying case.

Training at Anritsu

Anritsu has designed courses to help you stay up to date with technologies important to your job. For available training courses, visit: www.anritsu.com and search for training and education.



• United States

Anritsu Americas Sales Company
450 Century Parkway, Suite 190,
Allen, TX 75013, U.S.A.
Phone: +1-800-Anritsu (1-800-267-4878)

• Canada

**Anritsu Electronics Ltd.
Americas Sales and Support**
450 Century Parkway, Suite 190,
Allen, TX 75013, U.S.A.
Phone: +1-800-Anritsu (1-800-267-4878)

• Brazil

Anritsu Elettronica Ltda.
Praça Amadeu Amaral, 27 - 1 Andar
01327-010 - Bela Vista - Sao Paulo - SP, Brazil
Phone: +55-11-3283-2511
Fax: +55-11-3288-6940

• Mexico

Anritsu Company, S.A. de C.V.
Blvd Miguel de Cervantes Saavedra #169 Piso 1,
Col. Granada, Mexico, Ciudad de Mexico,
11520, MEXICO
Phone: +52-55-4169-7104

• United Kingdom

Anritsu EMEA Ltd.
200 Capability Green,
Luton, Bedfordshire, LU1 3LU, U.K.
Phone: +44-1582-433200
Fax: +44-1582-731303

• France

Anritsu S.A.
12 avenue du Québec, Immeuble Goyave,
91140 VILLEBON SUR YVETTE, France
Phone: +33-1-60-92-15-50

• Germany

Anritsu GmbH
Nemetschek Haus, Konrad-Zuse-Platz 1,
81829 München, Germany
Phone: +49-89-442308-0
Fax: +49-89-442308-55

• Italy

Anritsu S.r.l.
Spaces Eur Arte, Viale dell'Arte 25, 00144 Roma, Italy
Phone: +39-6-509-9711

List Revision Date: 20230407

• Sweden

Anritsu AB
Kistagången 20 B, 2 tr, 164 40 Kista, Sweden
Phone: +46-8-534-707-00

• Finland

Anritsu AB
Technopolis Aviapolis, Teknobulevardi 3-5 (D208.5.),
FI-01530 Vantaa, Finland
Phone: +358-20-741-8100

• Denmark

Anritsu A/S
c/o Regus Winghouse, Ørestads Boulevard 73, 4th floor,
2300 Copenhagen S, Denmark
Phone: +45-7211-2200

• Spain

**Anritsu EMEA Ltd.
Representation Office in Spain**
Paseo de la Castellana, 141.
Planta 5, Edificio Cuzco IV
28046, Madrid, Spain
Phone: +34-91-572-6761

• Austria

Anritsu EMEA GmbH
Am Belvedere 10, A-1100 Vienna, Austria
Phone: +43-(0)1-717-28-710

• United Arab Emirates

**Anritsu EMEA Ltd.
Anritsu A/S**
Office No. 164, Building 17, Dubai Internet City
P. O. Box - 501901, Dubai, United Arab Emirates
Phone: +971-4-3758479

• India

Anritsu India Private Limited
6th Floor, Indiqube ETA, No.38/4, Adjacent to EMC2,
Doddanekundi, Outer Ring Road,
Bengaluru - 560048, India
Phone: +91-80-6728-1300
Fax: +91-80-6728-1301

• Singapore

Anritsu Pte. Ltd.
11 Chang Charn Road, #04-01, Shriro House
Singapore 159640
Phone: +65-6282-2400
Fax: +65-6282-2533

• Vietnam

Anritsu Company Limited
16th Floor, Peakview Tower, 36 Hoang Cau Street,
O Cho Dua Ward, Dong Da District, Hanoi, Vietnam
Phone: +84-24-3201-2730

• P.R. China (Shanghai)

Anritsu (China) Co., Ltd.
Room 2701-2705, Tower A, New Caohejing
International Business Center No. 391 Gui Ping Road
Shanghai, 200233, P.R. China
Phone: +86-21-6237-0898
Fax: +86-21-6237-0899

• P.R. China (Hong Kong)

Anritsu Company Ltd.
Unit 1006-7, 10/F., Greenfield Tower, Concordia Plaza,
No. 1 Science Museum Road, Tsim Sha Tsui East,
Kowloon, Hong Kong, P.R. China
Phone: +852-2301-4980
Fax: +852-2301-3545

• Japan

Anritsu Corporation
8-5, Tamura-cho, Atsugi-shi, Kanagawa, 243-0016 Japan
Phone: +81-46-296-6509
Fax: +81-46-225-8352

• South Korea

Anritsu Corporation, Ltd.
5FL, 235 Pangyojeok-ro, Bundang-gu, Seongnam-si,
Gyeonggi-do 13494, South Korea
Phone: +82-31-696-7750
Fax: +82-31-696-7751

• Australia

Anritsu Pty. Ltd.
Unit 20, 21-35 Ricketts Road,
Mount Waverley, Victoria 3149, Australia
Phone: +61-3-9558-8177
Fax: +61-3-9558-8255

• Taiwan

Anritsu Company Inc.
7F, No. 316, Sec. 1, NeiHu Rd., Taipei 114, Taiwan
Phone: +886-2-8751-1816
Fax: +886-2-8751-1817