



OCXO-300

MICROWAVE DYNAMICS Ovenized Crystal Oscillator



Microwave Dynamics' Ovenized Crystal Oscillators provide high stability of +/- 0.1 ppm at frequency of 50 MHz or 100 MHz. Parts are available for fast delivery.

Built to the same high standards as our DRO, these OCXOs provide an excellent reference input complementing our DRO and PLO lines.

These units feature high stability, fast warm-up, low power requirements, rugged military type housings and fast delivery.

GENERAL SPECS:

Output Frequency Range	50 or 100 MHz
Output Level	+ 7 dBm into 50 ohms
Output Waveform	Sine-wave
Phase Noise	-167 dBc/Hz@10 KHz
Harmonic Distortion	-25 dBc
Spurious	-75 dBc
Load	50 ohms
Input Supply Voltage	+12VDC < 800 mA warm-up 300mA after warm-up
Warm-up Time	5 minutes from +25°C for frequency accuracy to be within +/-1 x10 ⁷

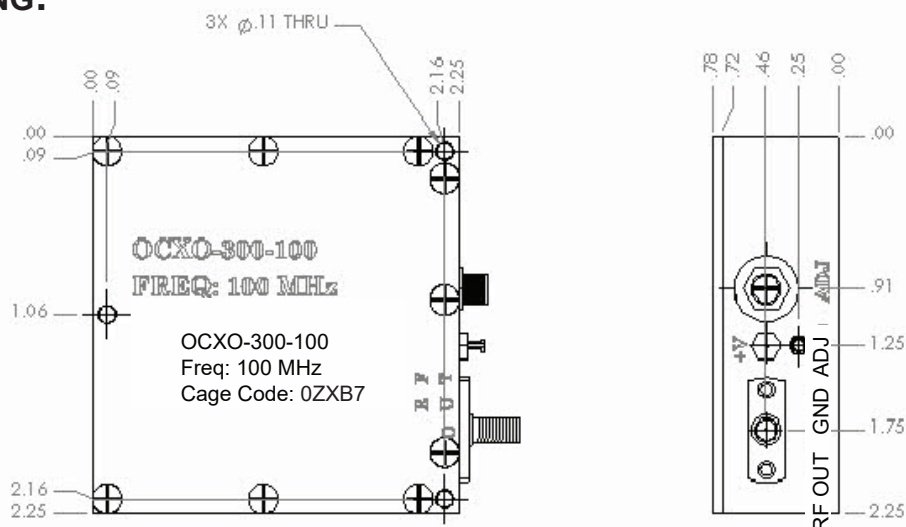
Storage Temperature	-55°C to +85°C
Operating Temperature	-40°C to +85°C

FREQUENCY STABILITY AS A FUNCTION OF:

Frequency Adjustment	+/- 1.5 ppm over all conditions
Aging	After 30 days power on Daily: +/- 5 ppb 1 Year: +/- 0.5 ppm 20 Years: +/- 2.0 ppm

Outline Drawing U01-094-0000

OUTLINE DRAWING:



16541 Scientific Way, Irvine, CA 92618 | T: 949-679-7788 | F: 949-679-7748

quanticmwd.com | info@quanticmwd.com

COPYRIGHT © 2023 MICROWAVE DYNAMICS LLC